

WARNING Failure to read and follow the operator's manual and all operating instructions before using could result in death or serious injury.

WARNING Risk of electrocution. Contacting both power conductors, at the same time could cause electric shock or burn resulting in death or serious injury.

- Inspect cord before each use, DO NOT use if cord is damaged.
- Keep all connections dry and off the ground.
- DO NOT touch plug with wet hands.

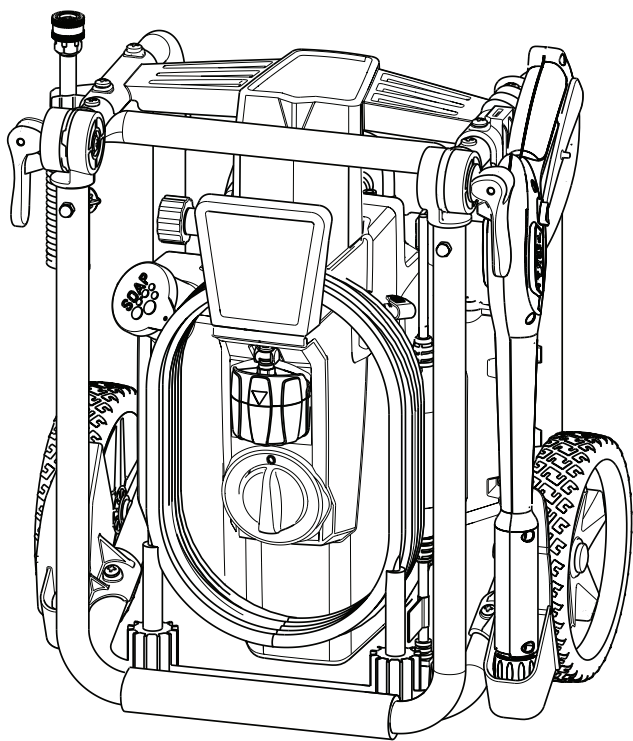
WARNING High water pressure could cut through skin resulting in serious injury. Spray gun traps high water pressure, even when motor is stopped and water is disconnected. NEVER aim spray gun at people, animals, or plants. ALWAYS point spray gun in safe direction, press red button and squeeze trigger to release high pressure, every time you turn off pressure washer.

Items Included

- Main unit
- Operator's manual
- Spray gun
- High pressure hose
- Spray wand with nozzle holder
- 7-in-1 nozzle (if equipped)
- Turbo nozzle (if equipped)
- Quick connect high pressure nozzle

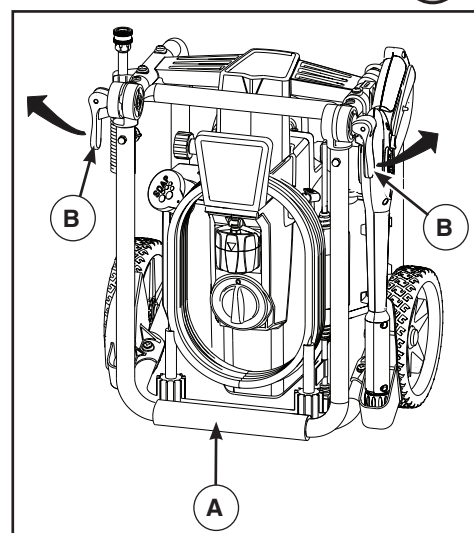
You will need (Not Included)

- Garden hose, 15m (50 ft.) or less
- Safety goggles (indirect vented type)
- Petroleum or synthetic grease



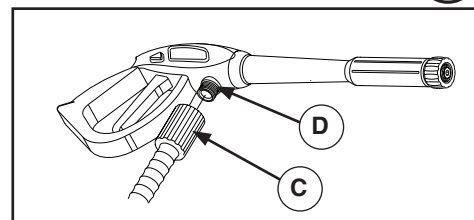
Unpack Electric Pressure Washer

1. Remove everything from carton.
2. Raise handle (A) to upright position by pulling up latch (B) on each side of handle. Push latches down to secure handle in place. ①
3. Ensure you have all included items prior to assembly. If items are damaged or missing, call (877) 224-0458.
4. Prior to assembly, lubricate rubber o-ring seals on all connections with petroleum or synthetic grease. See Operator's Manual, *Lubricate O-Rings*. ② ③ ④ ⑥ ⑦



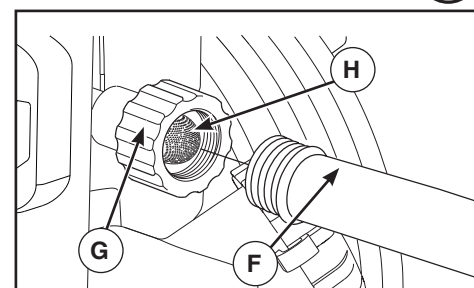
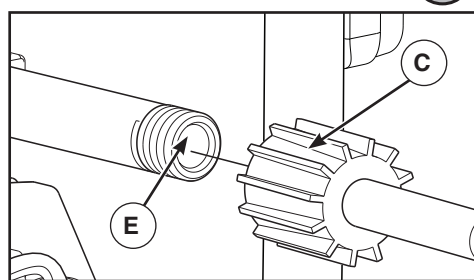
Connect Hoses and Water Supply

1. Uncoil high pressure hose and attach black end of hose (C) to base of spray gun (D). Tighten by hand. ②
2. Attach red end of high pressure hose (C) to high pressure outlet (E) on pump. Tighten by hand. ③



NOTICE If inlet screen is damaged or missing. DO NOT use pressure washer.

3. Before connecting garden hose (F) to water inlet (G), inspect inlet screen (H). Clean screen if it contains debris or have it replaced if damaged. DO NOT run pressure washer if inlet screen is damaged. ④
4. Run cold water through garden hose (F) for 30 seconds to clean out any debris. Connect the garden hose (not to exceed 50 ft. (15 m) in length) to the water inlet (G). Tighten by hand. ④



Start Electric Pressure Washer

1. Put on safety goggles.

WARNING Risk of eye injury. Spray could splash back or propel objects resulting in serious injury. Always wear indirect vented (chemical splash) safety goggles marked to comply with ANSI Z87.1 when using or in vicinity of this equipment. NEVER substitute safety glasses or dry-condition goggles for indirect vented safety goggles.

2. Turn on water.

NOTICE DO NOT run pump without water supply connected and turned on.

3. Place turbo and high pressure nozzles in slots on holder attached to spray wand. ⑤
4. Attach spray wand to spray gun. Tighten by hand. ⑥
5. Choose nozzle (J) you want to use, pull back on collar (K) of spray wand, insert nozzle and release collar. Tug on nozzle to make sure it is securely in place. ⑦

WARNING Risk of electrocution. Use of an extension cord could cause electric shock or burn resulting in death or serious injury.

- DO NOT use an extension cord with this electric pressure washer. Your home's electrical circuit receptacle or extension cord may not provide lifesaving ground-fault circuit-interruption protection.

NOTICE The unit can be operated in vertical or horizontal positions.

6. Turn master ON/OFF switch (L) to OFF (0) position. ⑧
7. Plug electrical power cord into a dedicated electrical circuit rated for 120 Volts AC at 15 Amps that is properly installed in accordance with all local codes and ordinances. Circuit is not to supply any other electrical needs. ⑨

WARNING Risk of electrocution. Non-operating ground fault circuit interrupter (GFCI) could result in death or serious injury. If indicator light does not stay on after test and reset, do not use GFCI.

NOTICE The indicator light must be ON for electric pressure washer to operate.

8. Press TEST button (M). The indicator light (N) should be OFF. ⑩
9. Press RESET button (P). The indicator light (N) should be ON. ⑩

NOTICE DO NOT use electric pressure washer if above test fails.

10. Press master ON/OFF switch (L) to ON (I) position. ⑪
11. Point gun in a safe direction, press trigger lock button (R). ⑪

The electric pressure washer motor will start and stop as spray gun trigger is depressed and released.

NOTICE If a fuse blows or circuit breaker trips, motor break in may be necessary. Run pressure washer with turbo nozzle for 5 minutes.

Stop Electric Pressure Washer

NOTICE To ensure detergent tank does not drain during storage, empty after each use, see Operator's Manual. The electric pressure washer motor runs only when the trigger is engaged. To stop the electric pressure washer and turn off the motor:

1. Release spray gun trigger.
2. Turn master ON/OFF switch (L) to OFF (0) position. ⑧

NOTICE Releasing trigger will shut off motor but does not shut off electrical power to unit.

3. Turn off water supply.
4. ALWAYS point spray gun in a safe direction and squeeze spray gun trigger to relieve built up pressure in unit.

NOTICE Spray gun traps high water pressure, even when motor is stopped and water is disconnected.

5. Disconnect GFCI plug from outlet. ⑨

Protect pump from damage caused by freezing, read operator's manual for winter or long term storage. Freeze damage is NOT covered under warranty.