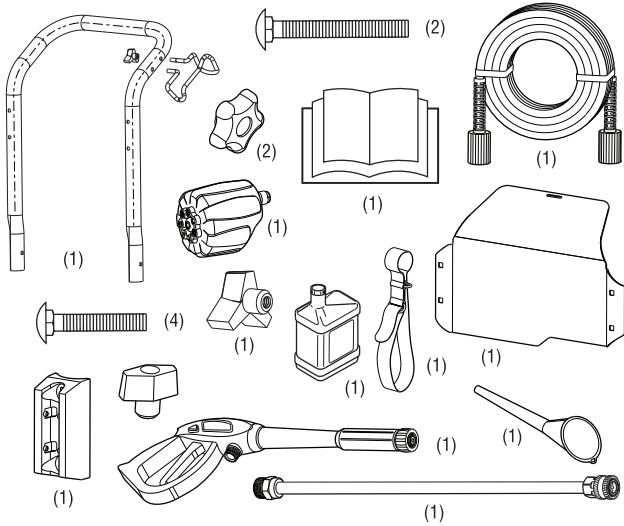




The quick start up/shutdown guide is not a substitute for reading the manual; the manual contains detailed information and instructions that you must be aware of and follow in order to maintain the equipment properly and use it safely. Remember to record the date of purchase and model number in your manual.

### Items Included:



### Items needed:

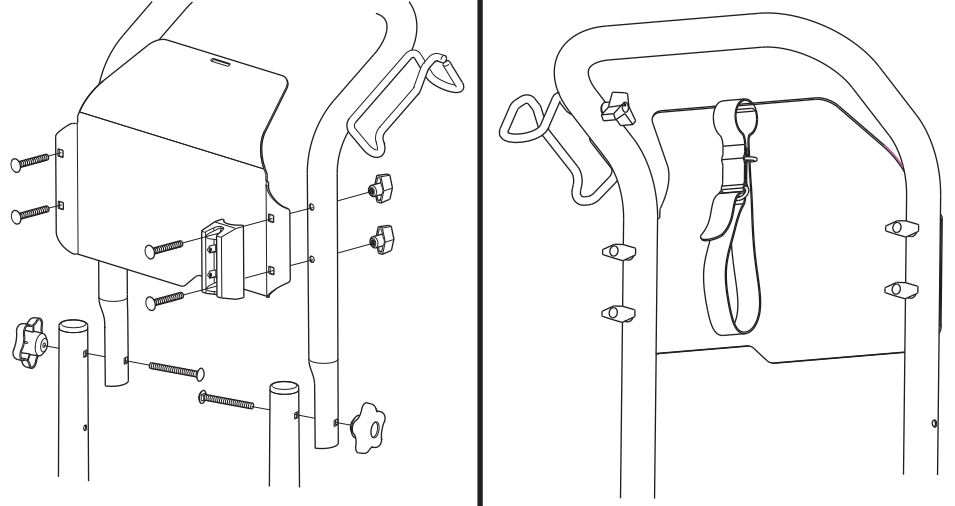
- (not included)
- Grease
  - Garden hose, 50 ft. (15 m) or less
  - Safety goggles (indirect vented type)

**WARNING!** Risk of eye injury. Spray could splash back or propel objects resulting in serious injury.

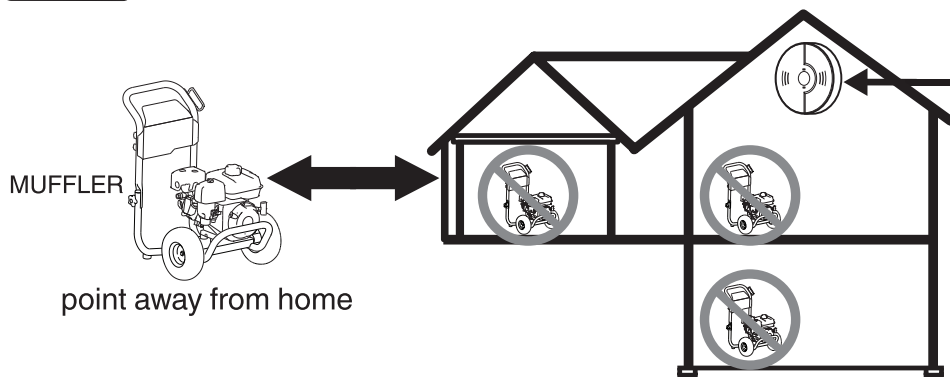


- Always wear indirect vented (chemical splash) safety goggles when using or near this product.
- Always wear protective clothing such as long-sleeved shirts, long pants and closed-toed shoes.

### Assemble Handle



**WARNING! USE OUTDOORS - AVOID CARBON MONOXIDE POISONING (SEE MANUAL)**



### CARBON MONOXIDE ALARM(S)

Install carbon monoxide alarms inside your home. Without working carbon monoxide alarms, you may not realize you are getting sick and dying from carbon monoxide poisoning.

### Start Up

- Place Outdoors
- Working CO Alarms
- Add Oil and Fuel
- Lubricate O-Rings
- Connect Hose
- Connect Garden Hose
- Purge System
- Connect Spray Tip and Wand to Gun
- Switch On (I)
- Fuel On
- Choke On
- Pull Recoil (2X Only)
- Run

If engine fails to start, proceed to step 13, then repeat step 12.

### Shutdown

- Switch Off (0)
- Fuel Off
- Purge System
- Water Off

