



19" 82V Cordless StepSense Lawn Mower

2691725 / SXD19SSWM82

1688050 & 80082816 / SXD19SSWM82K



Owner's Manual

www.refurbproductsupport.com

 Read all safety rules and instructions carefully before operating this tool.

CONTENTS

Lawn Mower Specifications	2
Safety Information	3
Symbols	8
Features and Controls	10
Assembly	11
Operation	18
Maintenance	25
Environmentally Safe Battery Disposal.....	29
Troubleshooting.....	30
Exploded View	30
Parts List	35

LAWN MOWER SPECIFICATIONS

19" 82V CORDLESS STEPSENSE LAWN MOWER

Battery type	82V* Lithium-ion
No-load speed	2800 RPM
Self-propelled speed	1.6 ~ 4.9 f/s (0.5 ~ 1.5 m/s)
Deck size	19" (48.26 cm)
Height adjustments	1" - 4" (2.5 - 10.2 cm)
Torque (for the blade bolt)	24-27 lb-ft (33-37 Nm)
Functions	3-in-1: Mulch, side discharge or rear bag
Weight (without battery)	66 lbs (30 kg)

Disclaimer: * Maximum initial battery voltage (measured without a workload) is 82 volts. Nominal voltage is 72 volts.

SAFETY INFORMATION

READ ALL INSTRUCTIONS

⚠ WARNING

This lawn mower is capable of amputating hands and feet and throwing objects. Failure to observe the following safety instructions could result in serious injury or death.

⚠ WARNING

When using electric lawn mowers, basic safety precautions should always be followed to reduce the risk of fire, electric shock, and personal injury, including the following:

1. GENERAL OPERATION

- Avoid Dangerous Environment – Don't use lawn mowers in damp or wet locations. Never operate lawn mower in wet grass. Always be sure of your footing; walk, never run.
- Keep Children Away – All visitors should be kept a safe distance from work area.
- Dress properly. Do not wear loose clothing or jewelry that can get caught in moving parts. The wearing of protective gloves and safety footwear is recommended.
- Use the Correct Appliance – Do not use lawn mower for any job except that for which it is intended.
- Don't Force Lawn Mower – It will do the job better and safer at the rate for which it was designed.
- Don't Overreach – Keep proper footing and balance at all times.
- Stay Alert – Do not operate the lawn mower when you are tired. Pay attention to what you are doing. Use common sense.
- Store Idle Lawn Mower Indoors – When not in use, lawn mower should be stored in an indoor dry and locked-up place – out of reach of children.
- Maintain Lawn Mower With Care – Keep cutting edges sharp and clean for best and safest performance.
- Obey instructions for lubricating and changing accessories.
- Keep handles dry, clean, and free from oil and grease.

SAFETY INFORMATION

- Keep hands and feet away from cutting area.
- If lawn mower strikes a foreign object, do the steps that follow:
 - i) Stop lawn mower. Release the switch.
 - ii) Remove battery.
 - iii) Inspect for damage.
 - iv) Repair any damage before restarting and operating the lawn mower.
- Use identical replacement blades only.
- Don't use the lawn mower in rain. Do not charge lawn mower in rain, or in wet locations.
- Remove or disconnect battery before servicing, cleaning, or removing material from the lawn mower.
- Use only approved replacement batteries, other batteries may cause injury or damage to the lawn mower. For use only with Briggs & Stratton batteries BSB2AH82 or BSB4AH82 or BSB5AH82 and Briggs & Stratton charger BSRC82 or BSSC82.
- Do not dispose of the battery in a fire. The cell may explode. Check with local codes for disposal instructions.
- Do not open or mutilate the battery. Released electrolyte is corrosive and may cause damage to the eyes or skin. It may be toxic if swallowed.
- Exercise care in handling batteries in order not to short the battery with conducting materials such as rings, bracelets, and keys. The battery or conductor may overheat and cause burns.
- Read, understand, and obey all instructions on the lawn mower and in the manual(s) before starting.
- Only allow responsible adults who are familiar with the instructions to operate this lawn mower.
- Objects struck by the lawn mower blade can cause severe injuries to persons. The lawn should always be carefully examined and cleared of all objects prior to each mowing. Clear the area of objects such as rocks, wire, toys, etc., which could be thrown by the blade. Stay behind the handle when the engine (motor) is running.
- Be sure the area is clear of bystanders before operating. Stop lawn mower if anyone enters the area.

SAFETY INFORMATION

- Do not operate lawn mower barefooted or while wearing sandals. Always wear substantial footwear.
- Do not pull lawn mower backward unless absolutely necessary. Always look down and behind before and while moving backward.
- Never direct discharged material toward anyone. Avoid discharging material against a wall or obstruction. Material may ricochet back toward the operator. Stop the blade when crossing gravel surfaces.
- Keep safety devices (guards, shields, switches etc.) in place and working. Do not operate lawn mower without the entire grass catcher, discharge guard, rear guard, or other safety protective devices in place and working.
- Never leave a running lawn mower unattended.
- Stop the motor and wait until the blade comes to a complete stop before removing the grass catcher or unclogging the chute.
- Operate lawn mower only in daylight or good artificial light.
- Do not operate lawn mower while under the influence of alcohol or drugs.
- Disengage the drive system, if so equipped, before starting the unit.
- If the lawn mower should start to vibrate abnormally, stop the unit and check for the cause immediately. Vibration is generally a warning of trouble.
- Use Safety Glasses – Always use face or dust mask if operation is dusty. Always wear eye protection when operating lawn mower. Wear protective hair covering to contain long hair.
- See manufacturer's instructions for proper operation and installation of accessories. Only use accessories approved by the manufacturer.

2. SLOPE OPERATION

- Slopes are a major factor related to slip and fall accidents, which can result in severe injury. Operation on all slopes requires extra caution. If you feel uneasy on a slope, do not mow it.
- Mow across the face of slopes; never up and down. Exercise extreme caution when changing direction on slopes.
- Watch for holes, ruts, bumps, rocks, or other hidden objects. Uneven terrain could cause a slip and fall accident. Tall grass can hide obstacles.
- Do not mow on wet grass or excessively steep slopes. Poor footing could cause a slip and fall accident.

SAFETY INFORMATION

3. CHILDREN

Tragic accidents can occur if the operator is not alert to the presence of children. Children are often attracted to the lawn mower and the mowing activity. Never assume that children will remain where you last saw them.

- Keep children out of the mowing area and under the watchful care of a responsible adult.
- Stay alert, and turn the lawn mower off if a child or any other person enters the mowing area.
- Never allow children to operate the lawn mower.
- Use extreme care when approaching blind corners, doorways, shrubs, trees, or other objects that may obscure your view of a child who may run into the path of the lawn mower.

4. SERVICE

- Keep all nuts, bolts, and screws tight in order to be sure that the lawn mower is in safe working condition.
- Never remove or tamper with safety devices. Check their proper operation regularly. Never do anything to interfere with the intended function of a safety device or to reduce the protection provided by a safety device.
- Keep lawn mower free of grass, leaves, or other debris build up. Allow lawn mower to cool before storing.
- After striking a foreign object, stop the motor. Thoroughly inspect the lawn mower for any damage. Repair any damage before operating the lawn mower.
- Never make any adjustments or repairs with the motor running.
- Always remove battery pack from lawn mowers before adjusting, cleaning, or repairing.
- Check grass catcher components and the discharge guard frequently and replace with manufacturer's recommended parts, when necessary.
- Lawn mower blades are sharp, and can cut. Wrap the blades or wear gloves, and use extra caution when servicing.
- Maintain or replace safety and instruction labels, as necessary.

SAFETY INFORMATION

⚠ WARNING (PROPOSITION 65)

This lawn mower contains a chemical known to the state of California to cause cancer, birth defects or other reproductive harm.

Some dust created by power sanding, sawing, grinding, drilling and other construction activities contains chemicals known to cause cancer, birth defects or other reproductive harm. Some examples of these chemicals are:

- Lead from lead-based paints,
- Crystalline silica from bricks and cement and other masonry products, and
- Arsenic and chromium from chemically-treated lumber.








Your risk of exposure to these chemicals varies depending on how often you do this type of work. To reduce your exposure to these chemicals, work in a well-ventilated area, and work with approved safety equipment, such as dust masks that are specially designed to filter out microscopic particles.

Mans.io




SAVE THESE INSTRUCTIONS

SYMBOLS




Some of the following symbols may be used on this lawn mower. Please study them and learn their meaning. Proper interpretation of these symbols will allow you to operate the lawn mower better and safer.

SYMBOL	NAME	DESIGNATION/EXPLANATION
V	Volts	Voltage
A	Amperes	Current
Hz	Hertz	Frequency (cycles per second)
W	Watt	Power
min	Minutes	Time
~	Alternating Current	Type of current
— — —	Direct Current	Type or a characteristic of current
n_0	No Load Speed	Rational speed, at no load
	Class II Construction	Double-insulated construction
/min	Per Minute	Revolutions, strokes, surface speed, orbits etc., per minute
	Wet Conditions Alert	Do not expose to rain or use in damp locations.
	Read The Operator's Manual	To reduce the risk of injury, user must read and understand operator's manual before using this lawn mower.
	Safety Alert	Precautions that involve your safety.
	Eye Protection	Always wear eye protection with side shields marked to comply with ANSI Z87.1 when operating this equipment.
	Keep Hands and Feet Away	Keep hands and feet away from blade and cutting area.
	No Reach	Do not reach hands or feet under lawn mower deck.

SYMBOLS

	No Slope	Do not operate on inclines greater than 15°. Mow across the face of slopes, never up and down.
	Keep Bystanders Away	Keep all bystanders at least 100 ft. away.
	Ricochet	Pay attention that bystanders are not injured through foreign objects thrown from the lawn mower.

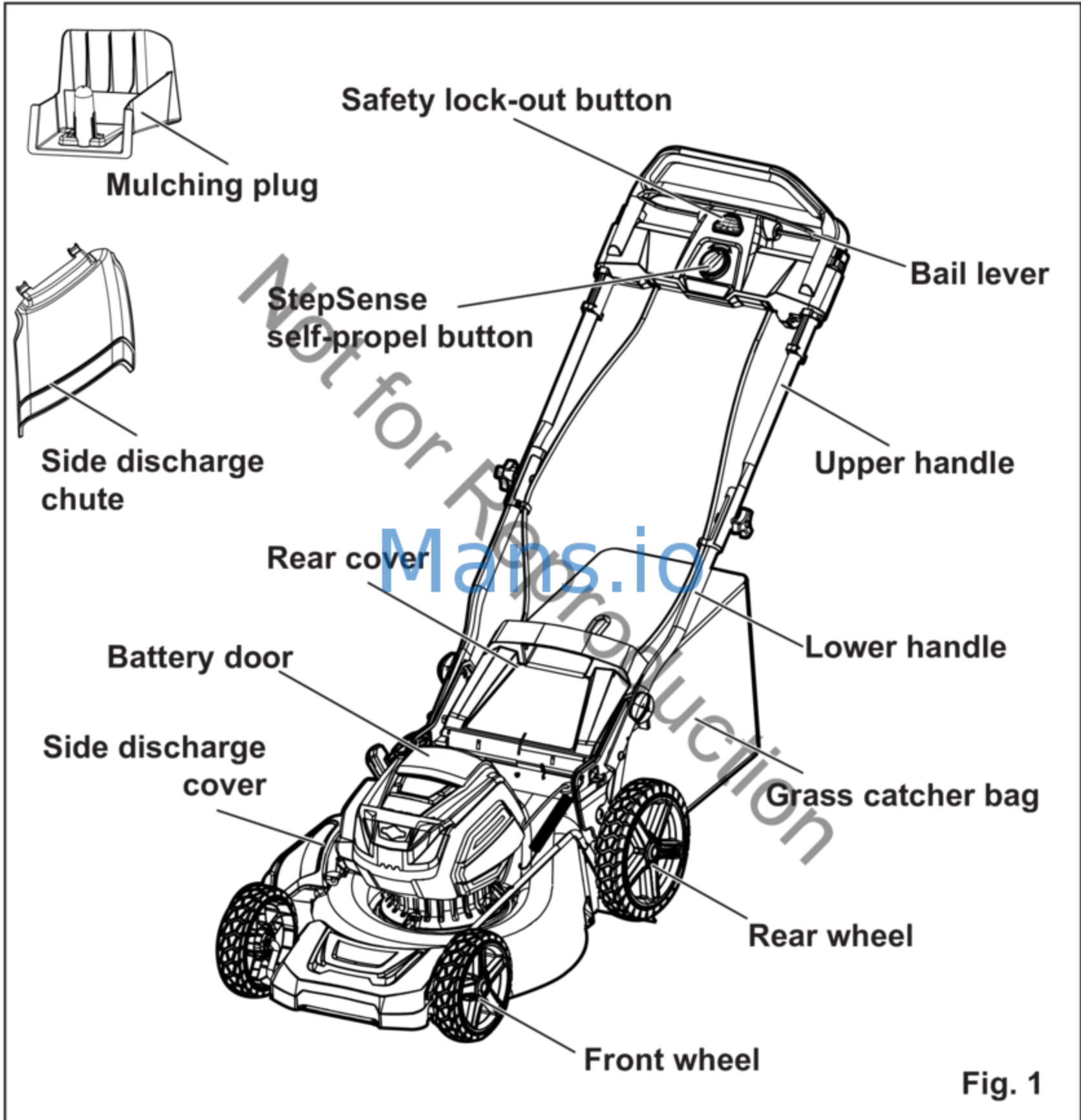
The following signal words and meanings are intended to explain the levels of risk associated with this lawn mower.

SYMBOLS	SIGNAL	MEANING
	DANGER	Indicates an imminently hazardous situation, which, if not avoided, will result in death or serious injury.
	WARNING	Indicates a potentially hazardous situation, which, if not avoided, could result in death or serious injury.
	CAUTION	Indicates a potentially hazardous situation, which, if not avoided, may result in minor or moderate injury.
	CAUTION	(Without Safety Alert Symbol) Indicates a situation that may result in property damage.

SAVE THESE INSTRUCTIONS

FEATURES AND CONTROLS

Read this operator's manual and safety rules before operating your lawn mower. Compare the illustration in Figure 1 to your lawn mower in order to familiarize yourself with the location of various controls and adjustments. Save this manual for future reference.



ASSEMBLY

UNPACKING

- Carefully remove the lawn mower and any accessories from the box. Make sure that all items listed in the packing list are included.
- Inspect the lawn mower carefully to make sure no breakage or damage occurred during shipping.
- Do not discard the packing material until you have carefully inspected and satisfactorily operated the lawn mower.
- If any parts are damaged or missing, please call 1-800-317-7833 for assistance.

▲ W A R N I N G

If any parts are damaged or missing do not operate this lawn mower until the parts are replaced. Using a lawn mower with damaged or missing parts could result in serious personal injury.

▲ W A R N I N G

Do not attempt to modify this lawn mower or create accessories not recommended for use with this lawn mower. Any such alteration or modification is misuse and could result in a hazardous condition leading to possible serious personal injury.

▲ W A R N I N G

Do not insert battery until assembly is complete and you are ready to mow. Failure to comply could result in accidental starting and possible serious personal injury.

▲ W A R N I N G

To prevent accidental starting that could cause serious personal injury, always remove the battery pack from the lawn mower when assembling parts.

▲ W A R N I N G

Never operate the lawn mower without the proper safety devices in place and working. Never operate the lawn mower with damaged safety devices. Operation of this lawn mower with damaged or missing parts could result in serious personal injury.

ASSEMBLY

UNFOLDING AND ADJUSTING LOWER HANDLE

(See Figure 2)

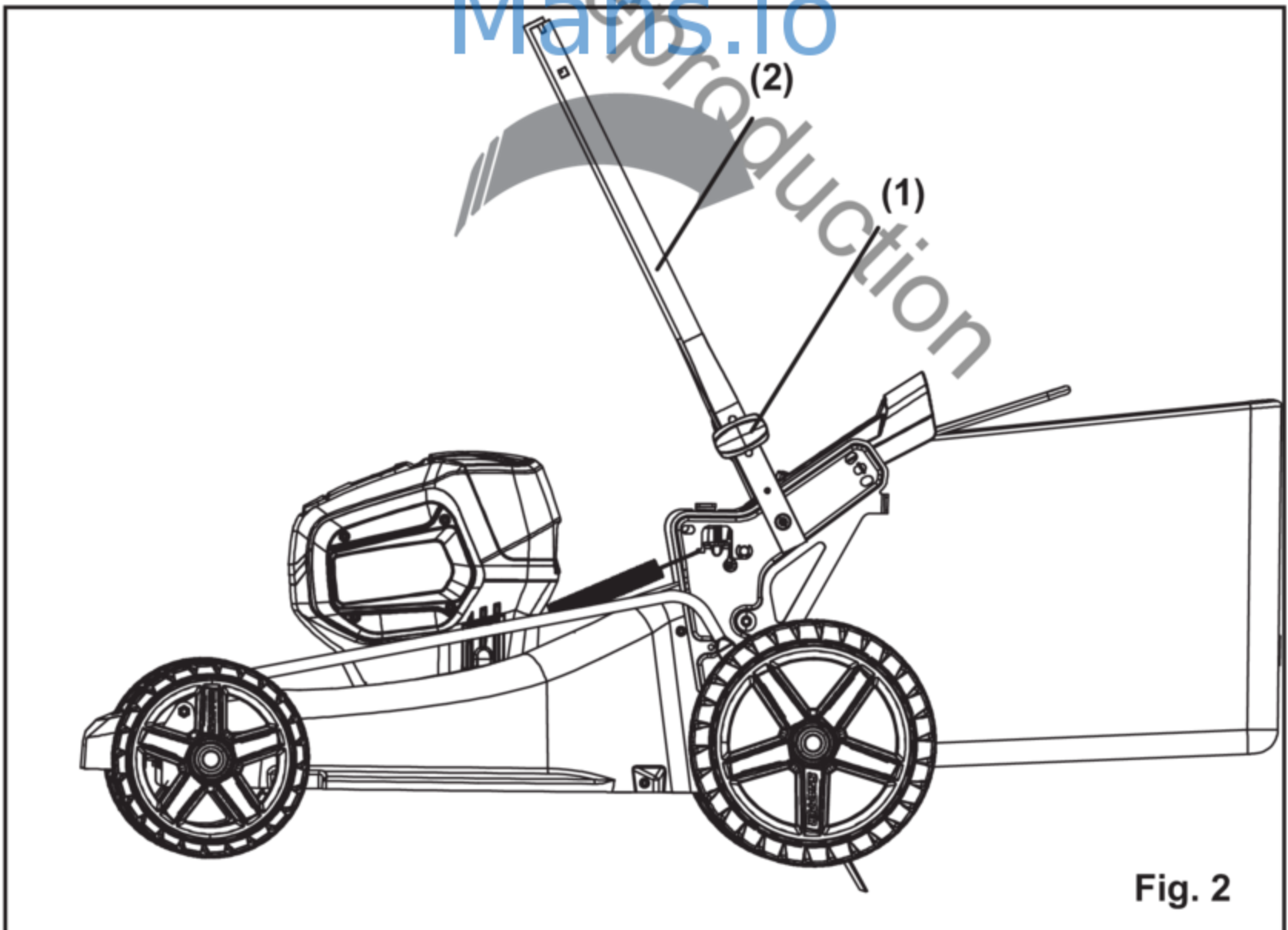
⚠ WARNING

Folding or unfolding the handle improperly can damage the cables, causing an unsafe operating condition.

- Do not damage the cables when folding or unfolding the handle.
- If a cable is damaged, contact an Authorized Service Dealer.

- Pull and rotate the handle knobs (1) 90° on both sides to loosen the lower handles (2) on both sides.
- Move the lower handles to the operating position. You may raise or lower the handles to a position comfortable for you. There are 3 positions for you to choose. Release the handle knobs to lock the lower handles into position.

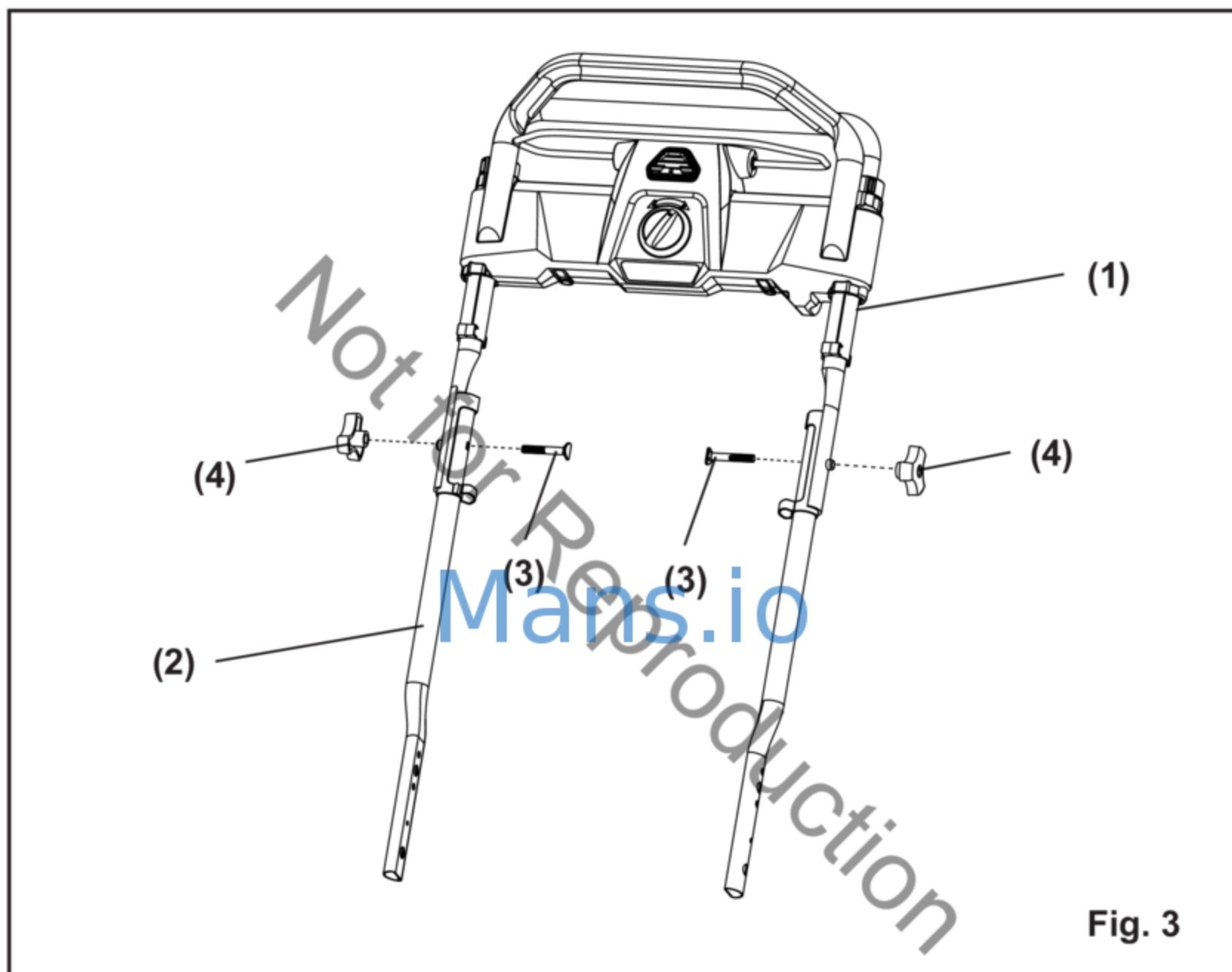
Note: Make sure both sides are set at the same position for proper assembly.



ASSEMBLY

INSTALLING THE UPPER HANDLE (See Figure 3)

- Align the mounting holes on the upper handle (1) and the lower handle (2). Insert the bolts (3) and use the knobs (4) to tighten them. Repeat the operation on the other side.



ASSEMBLY

REMOVING/INSTALLING THE MULCHING PLUG (See Figure 4)

- To remove the mulching plug, lift the rear cover (1).
- Grasp the handle (2) of the mulching plug. Lift and pull the mulching plug out using the handle.
- The mulching plug (3) is inserted at an angle, so it requires some force to remove it.
- The mulching plug must be removed in order to install the grass catcher bag.
- The mulching plug must be re-installed when the grass catcher bag is removed.

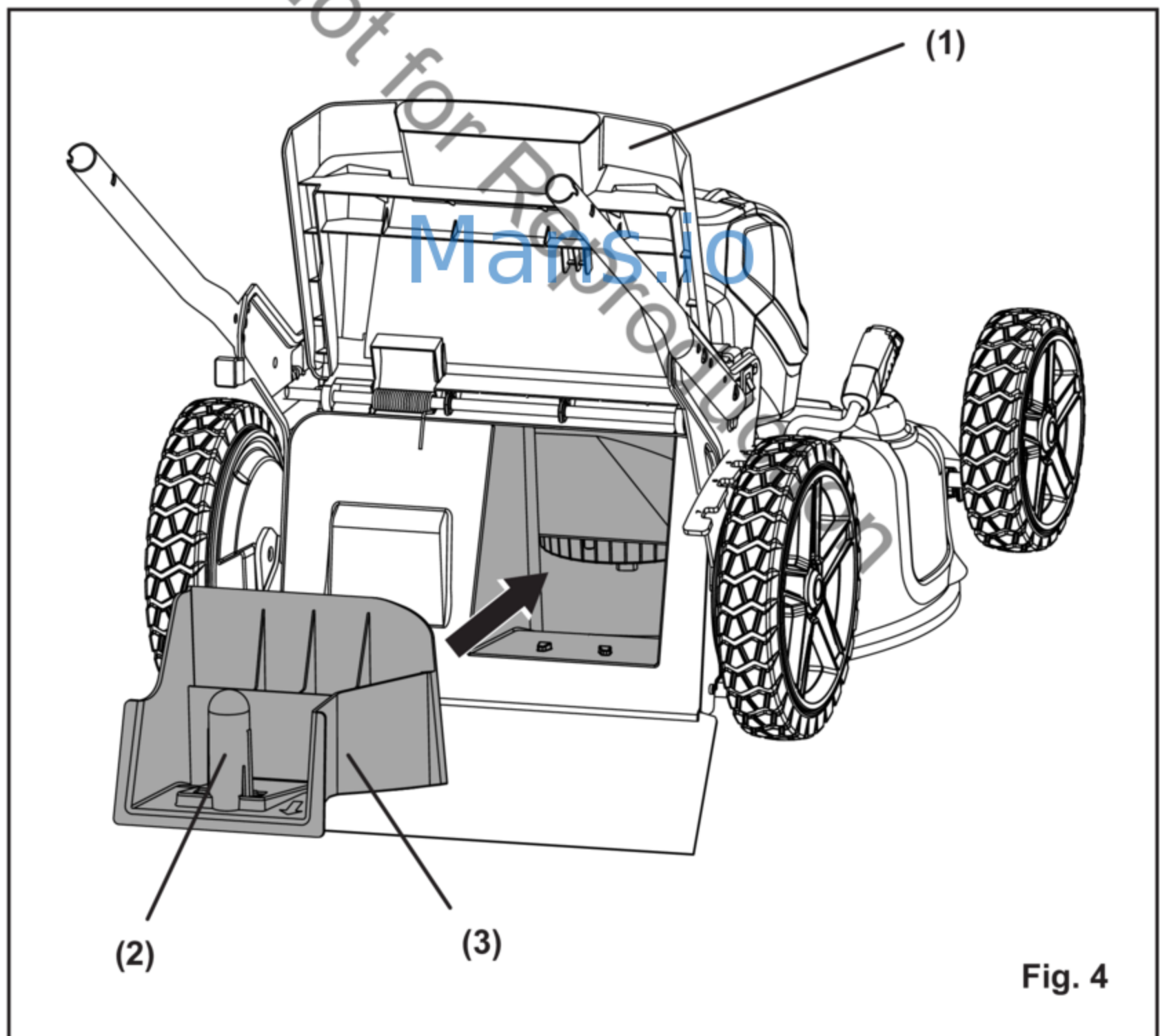


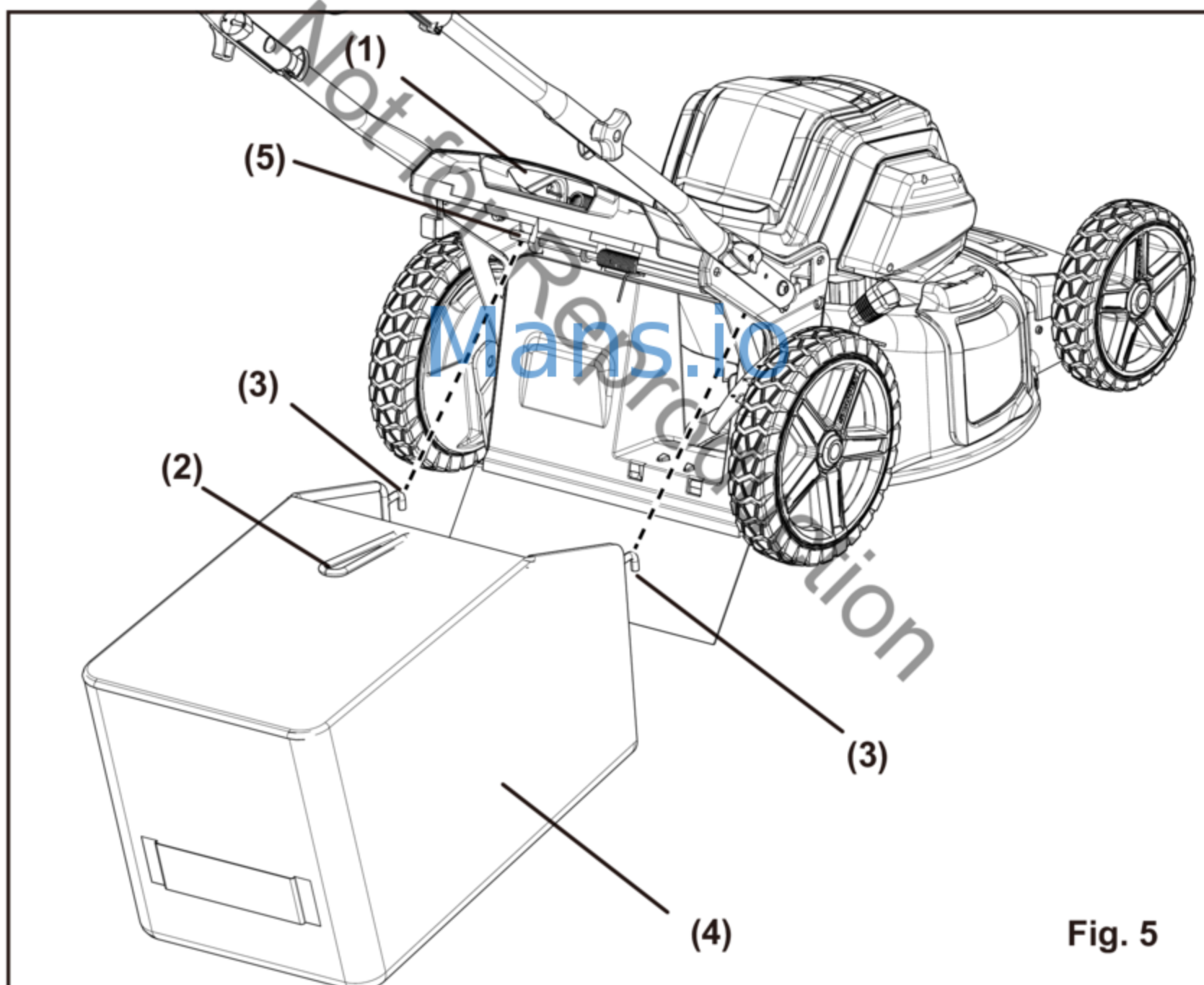
Fig. 4

ASSEMBLY

INSTALLING THE GRASS CATCHER BAG (See Figure 5)

- Lift the rear cover (1).
- Lift the grass catcher (4) by its handle (2) and place under the rear cover so that the hooks (3) on the grass catcher are seated on the door rod (5).
- Release the rear cover. When installed correctly, the hooks on the grass catcher will extend through the openings on the rear cover.

NOTE: When using the grass catcher, do not install either the side discharge deflector or the mulching plug.

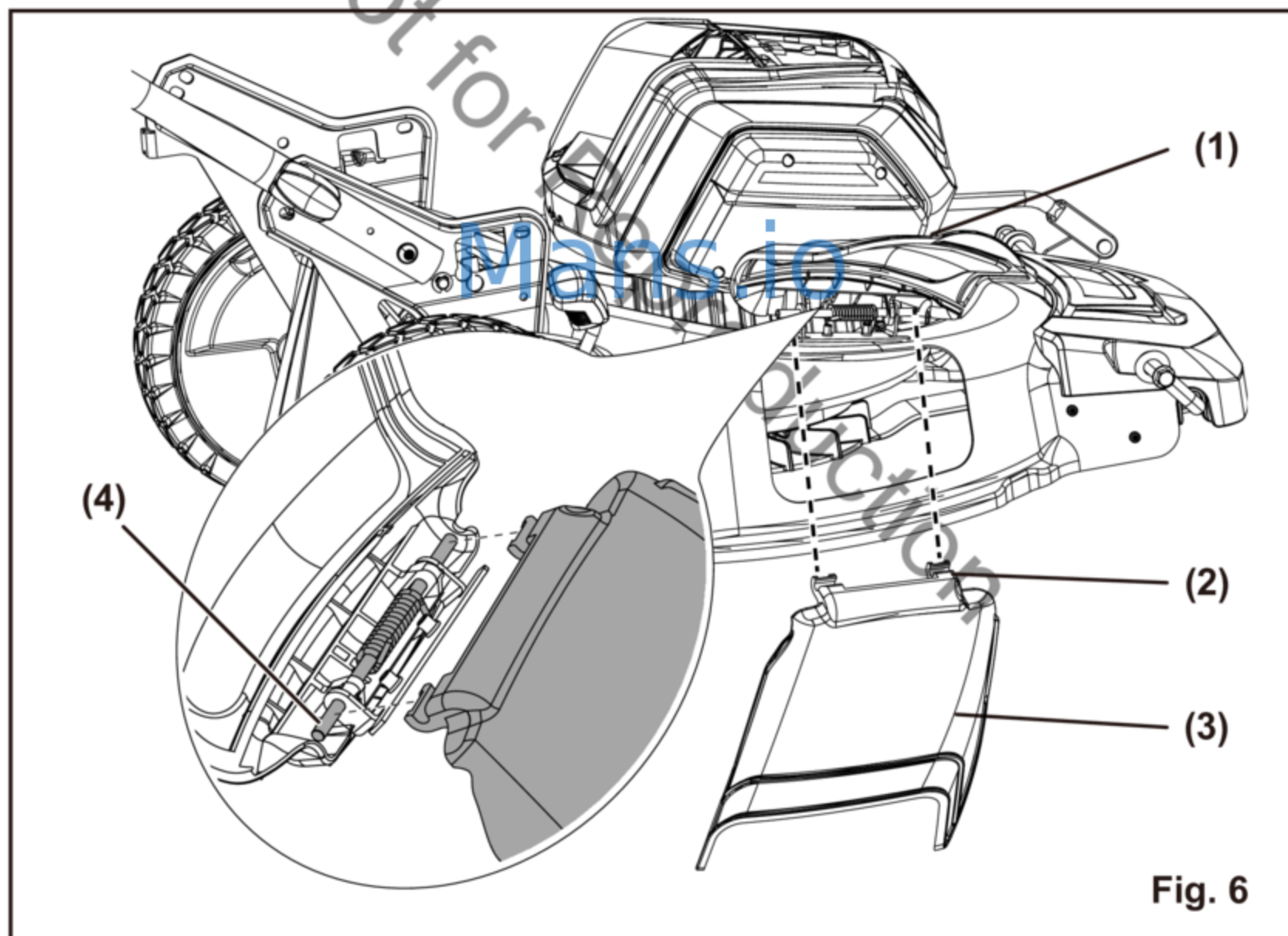


ASSEMBLY

INSTALLING SIDE DISCHARGE CHUTE (See Figure 6)

- Lift the side discharge cover (1).
- Align the grooves (2) on the discharge chute (3) with the pins (4) on the underside of the discharge cover.
- Lower the discharge chute until the hooks on the lawn mower deck are secured in the openings in the discharge chute.
- Release the side discharge cover.

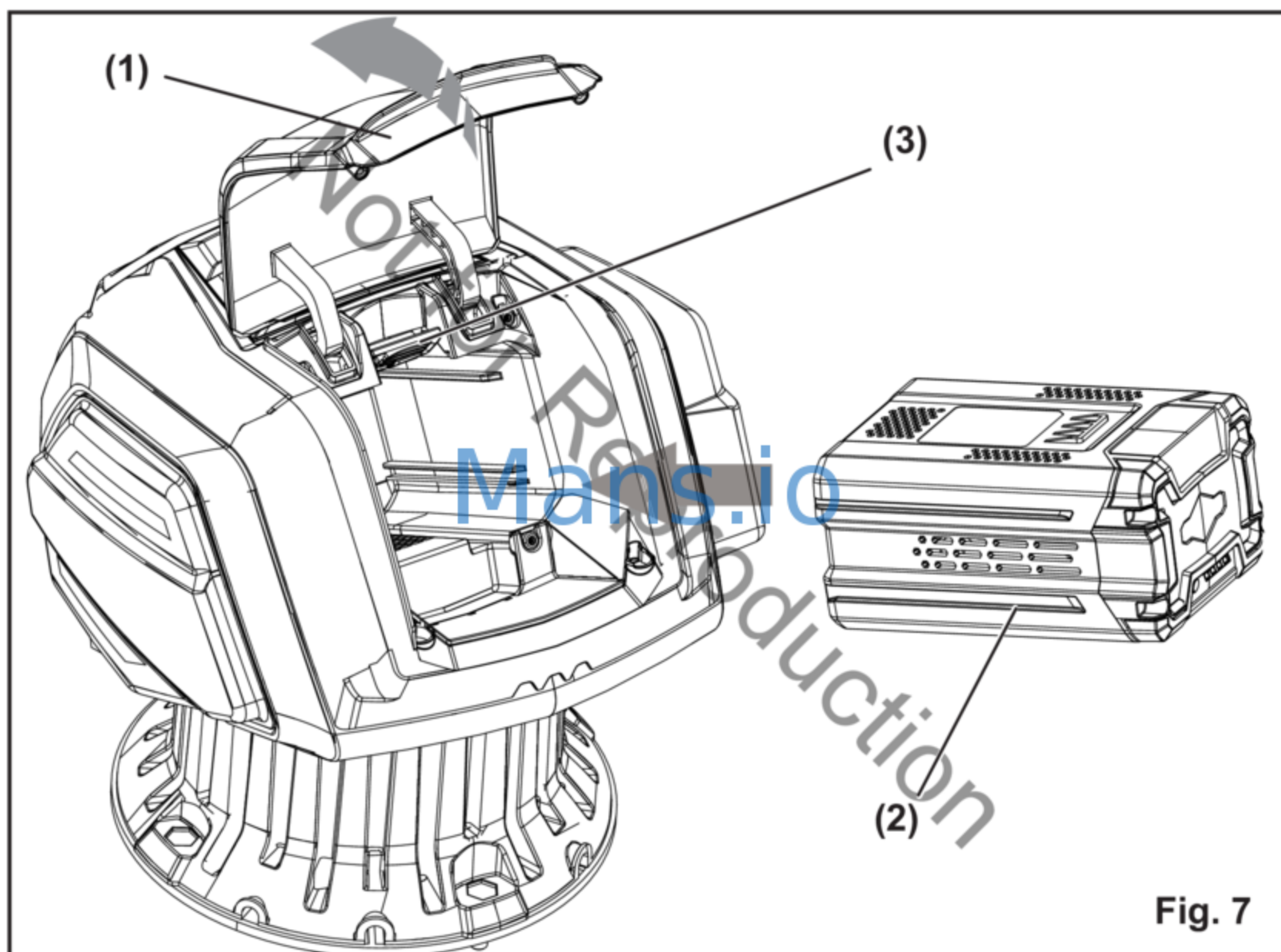
NOTE: When using the side discharge chute, remove the grass catcher bag but keep mulch plug installed.



ASSEMBLY

TO INSTALL BATTERY PACK (See Figure 7)

- Lift and hold up the battery door (1).
- Align the battery (2) with the lawn mower's battery port.
- Make sure the battery release button (3) snaps in place and that battery is fully seated and secure in the lawn mower before beginning operation.
- Close the door.



TO REMOVE BATTERY PACK (See Figure 7)

- Release the bail lever to stop the lawn mower.
- Open the battery door (1).
- Press the battery release button (3) on the lawn mower. This will cause the battery (2) to raise out of the tool slightly.
- Remove battery from the lawn mower.

OPERATION

STARTING/STOPPING THE LAWN MOWER (See Figure 8)

To start the motor:

- Open the battery door. Insert the battery.
- Press and hold the safety lock-out button (1).
- Pull the bail lever (2) upward to the handle to start the lawn mower.
- Release the button.

To stop the motor:

- Release the bail lever.

STEPSense SELF-PROPEL SYSTEM (See Figure 8)

This lawn mower features our exclusive StepSense self-propel system, which allows you to mow at speeds that are infinitely adjustable to your walking pace.

- Move the StepSense self-propel button (3) to the unlocked position to turn on the StepSense self-propel feature.

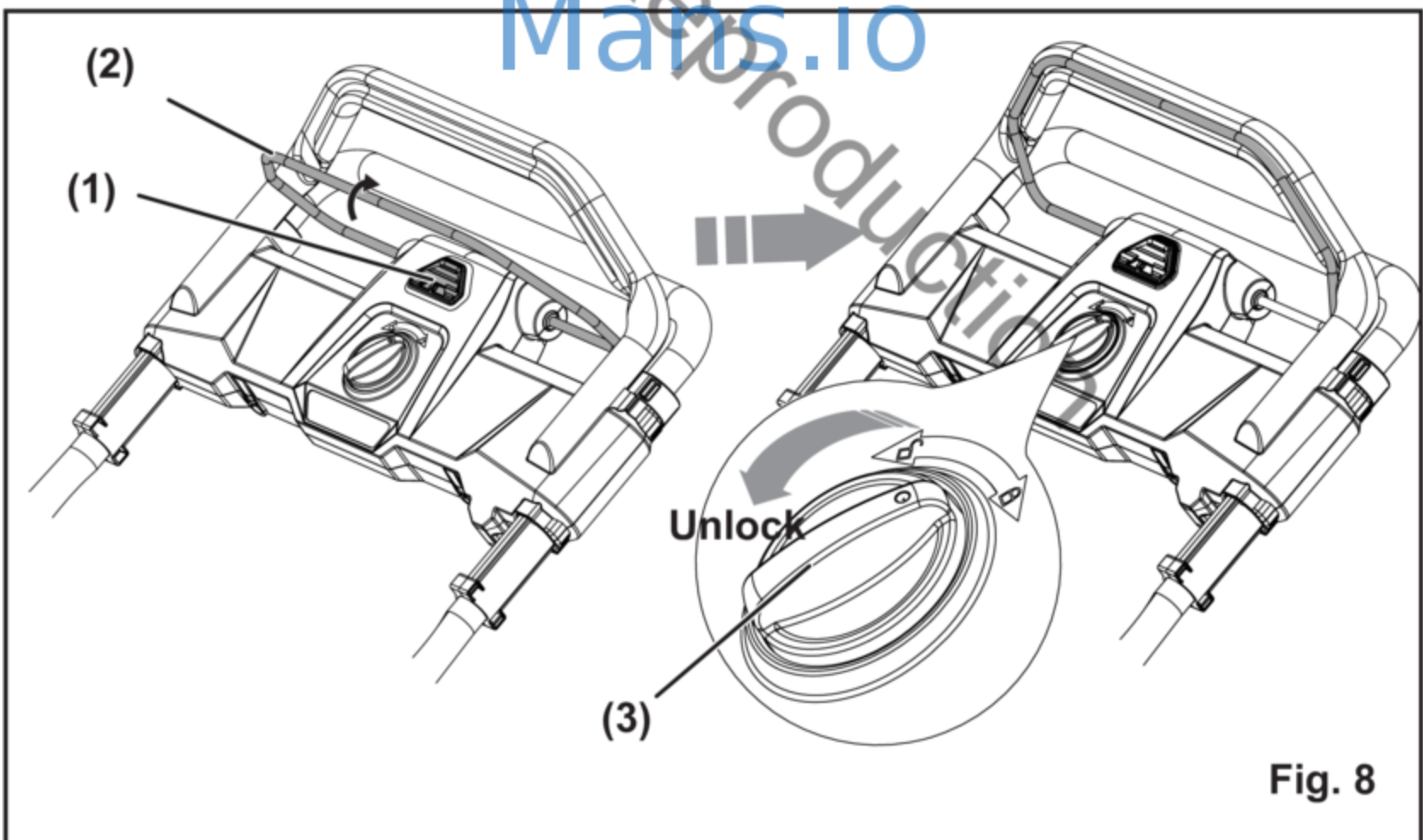


Fig. 8

OPERATION

Soft-Start

This LI-ION lawn mower is equipped with a “soft-start” feature. When initially starting up, the lawn mower will take approx. 3 seconds to get up to full speed. If the lawn mower does not initially start: Remove the battery and check under the lawn mower deck to make sure there is nothing obstructing the blade and that the blade can spin freely by hand. Even a small amount of grass on start up will prevent the "soft-start" from turning the lawn mower on.

⚠ CAUTION

Do not attempt to override the operation of the safety lock-out button or bail lever.

⚠ WARNING

The operation of any lawn mower can result in foreign objects being thrown into the eyes, which can cause severe eye damage. Always wear safety glasses while operating the lawn mower and while performing any adjustments or repairs.

INSPECT THE CUTTING AREA. Remove all stones, sticks, wire, and other debris that might be thrown by the rotating blades.

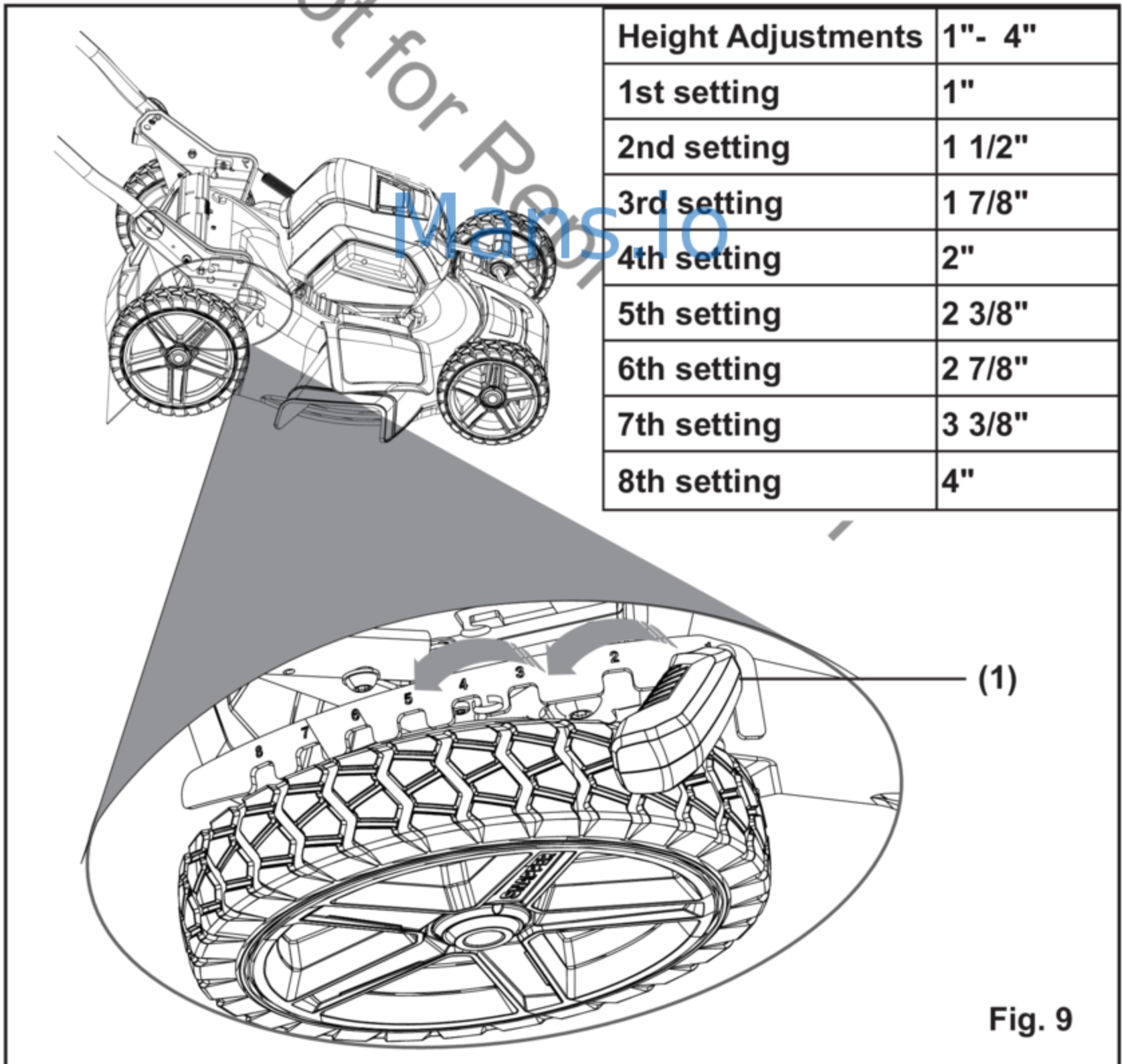
OPERATION

CUTTING HEIGHT ADJUSTMENT (See Figure 9)

When shipped, the wheels on the lawn mower are set to a low-cutting position. Before using the lawn mower for the first time, raise the cutting position to the height best suited for your lawn. The average lawn should be between 1 1/2" to 2" (3.8 to 5 cm) during cool months and between 2" and 3 1/2" (5 cm to 8.3 cm) during hot months.

To adjust the blade height:

- To raise the blade height, grasp the height adjustment lever (1) and move it toward the back of the lawn mower.
- To lower the blade height, grasp the height adjustment lever (1) and move it toward the front of the lawn mower.



OPERATION

SLOPE GAUGE (See Figure 10)

▲ WARNING

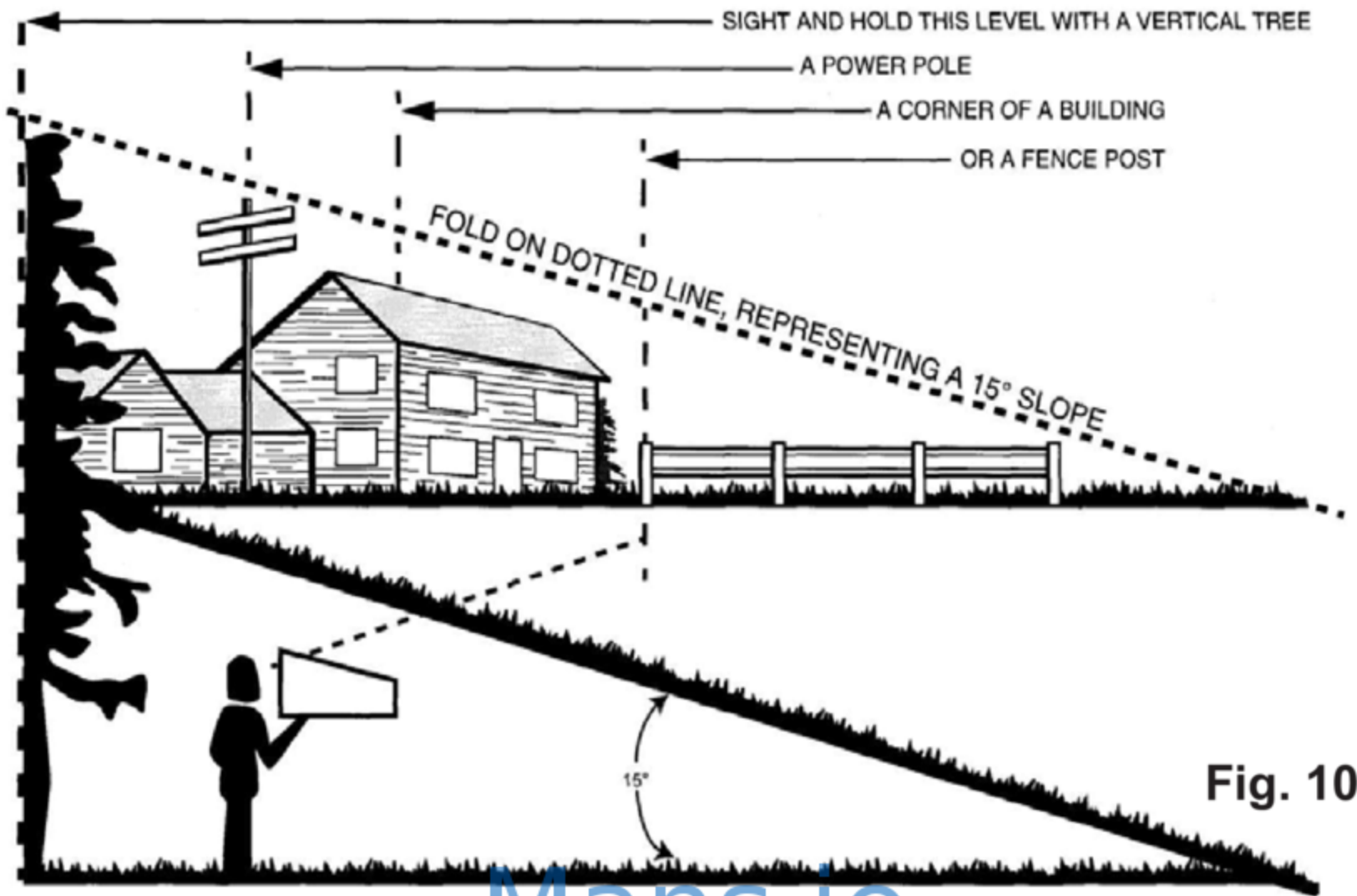
Slopes are a major factor related to accidents involving slips and falls, which can result in severe injury. Operating the lawn mower on a slope requires extra caution. If you feel uneasy on a slope, do not mow it. For your safety, use the slope gauge that is included as part of this manual to measure slopes before operating this unit on a sloped or hilly area.

- Mow across the face of a slope, and never up and down. Exercise extreme caution when changing direction on a slope.
 - Watch for holes, ruts, rocks, hidden objects, or bumps that may cause a slip or a trip. Tall grass can hide obstacles.
 - Always be sure of your footing. If you feel like you are losing your balance, release the blade/motor control handle immediately. The blade will stop rotating within 3 seconds.
 - Do not mow near drop-offs, ditches, or embankments, because you could lose your footing or balance.
 - Do not mow a slope that has an angle of greater than 15°, as determined using the slope gauge.
 - Do not mow wet or damp grass. Unstable footing can cause slipping.
-

▲ WARNING

Do not mow a slope that has an angle of greater than 15° (a rise of approximately 2 1/2 feet [0.75 m] every 10 feet [3 m]). Mow across the face of a slope, and never up and down.

OPERATION



Mans.io
Production

OPERATION

MOWING TIPS

NOTE: A sharp blade will greatly enhance the performance of the lawn mower, especially when cutting high grass. Be sure to check the blade and to sharpen it at least once per year, as described in the Maintenance section.

- Verify that the lawn is free of stones, sticks, wires, and other objects that could damage the blades or the motor. These objects could be accidentally thrown by the lawn mower in any direction, and could cause serious personal injury to the operator and to others. In order to prevent electric shock, do not operate the lawn mower in damp or wet conditions.
- Do not mow in circles. Travel back and forth across the lawn.
- When cutting thick grass, reduce walking speed in order to allow for a more effective cut and a proper discharge of the clippings.
- For a healthy lawn, always cut off one-third or less of the total length of the grass. The average lawn should be approximately 1 1/2 to 2" (3.8 to 5 cm) long during cool months, and between 2" to 3 1/4" (5 cm to 8.3 cm) long during hot months. If there is growth, the lawn should be cut in the fall.

MULCHING TIPS

NOTE: INSPECT THE AREA WHERE THE LAWN MOWER IS TO BE USED, AND REMOVE ALL STONES, STICKS, WIRE, AND OTHER DEBRIS THAT MIGHT BE THROWN BY THE ROTATING BLADE.

- Release the bail lever to turn the lawn mower OFF when crossing any graveled area (stones can be thrown by the blade).
- Set lawn mower to the highest cutting height when mowing on uneven ground or in tall weeds.
- For effective mulching, do not cut wet grass, because it tends to stick to the underside of the deck, preventing proper mulching of grass clippings. New or thick grass may require a narrower cut. The ground speed should be adjusted to the condition of the lawn. If mowing has been delayed and the grass has been allowed to grow longer than 4" (10 cm), mow the lawn twice in order to reduce the grass height to a maximum of 3 1/4" (8.3 cm).
- Walk at a steady pace. Overlap the cutting rows. Do not let the grass get too tall. If the grass gets too long, start at the highest cutting position and work down to the desired cutting height.

▲ W A R N I N G

If you strike a foreign object, stop the motor and remove the battery. Thoroughly inspect the lawn mower for any damage. Repair any damage before operating the lawn mower. Excessive vibration of the lawn mower during operation is an indication of damage. Thoroughly inspect the lawn mower and repair any damage before operating the lawn mower.

OPERATION

EMPTYING THE GRASS CATCHER BAG *(See Figure 11)*

- Stop lawn mower, allow blades to completely stop, and remove the battery.
- Lift the rear discharge cover.
- Lift the grass catcher bag by its handle to remove from lawn mower.
- Empty grass clippings.
- Lift the rear discharge cover and reinstall the grass catcher bag as described earlier in this manual.



MAINTENANCE

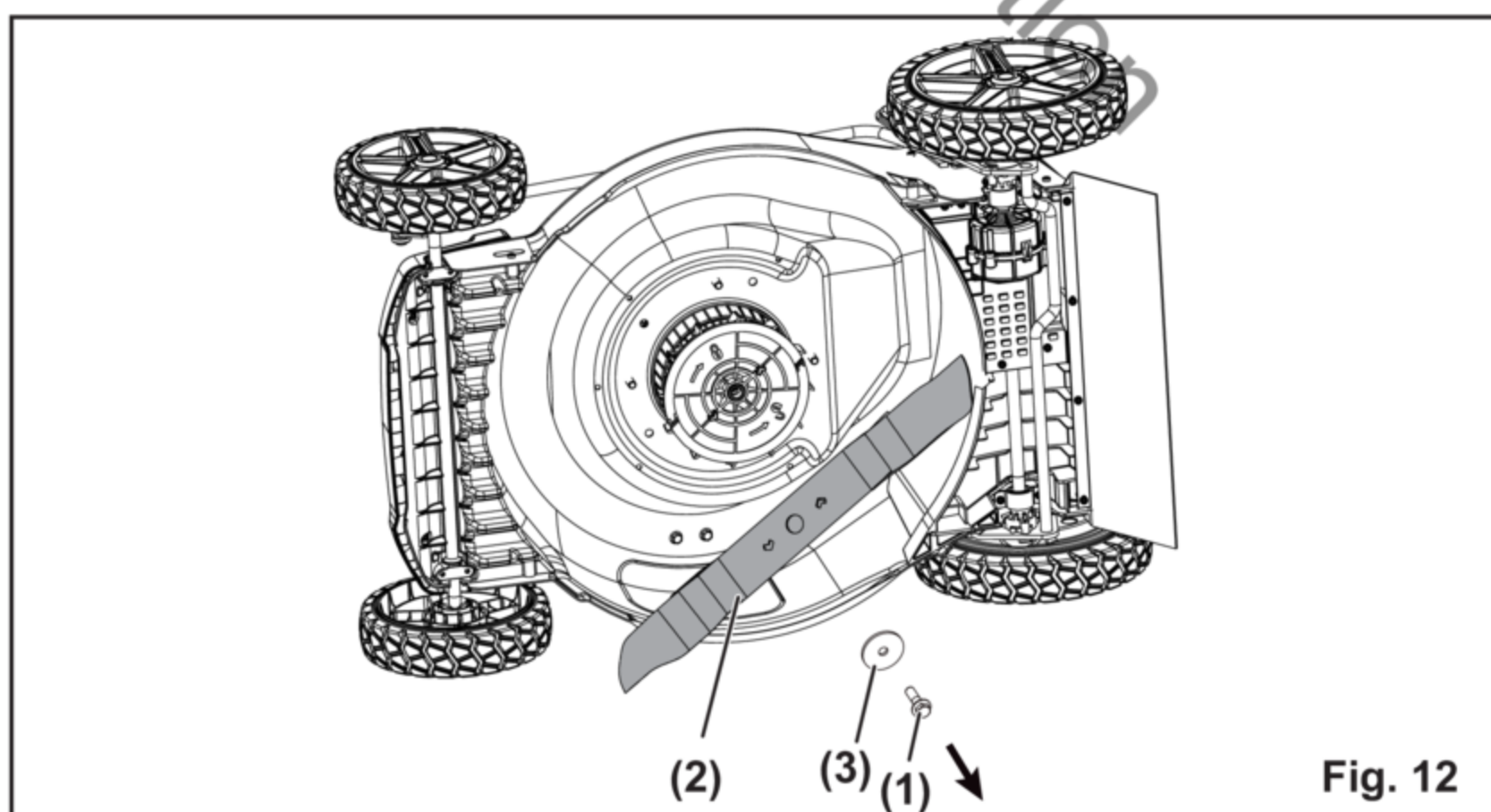
REPLACING THE CUTTING BLADE (See Figure 12)

▲ WARNING

Always protect your hands by wearing heavy gloves and/or wrapping the cutting edges with rags or other materials when performing any maintenance on the blades. ALWAYS remove the battery when servicing or transporting the lawn mower.

- REMOVE BATTERY.
- While wearing leather padded gloves, wedge a block of wood between the blade and the lawn mower deck in order to prevent the blade from turning when the bolt (1) is being removed.
- Using an adjustable wrench or 16 mm socket, loosen the bolt (1), spacer (3) and remove the blade (2). Turn the bolt "COUNTERCLOCKWISE" to loosen it and "CLOCKWISE" to tighten it.
- Remove the bolt (1), spacer (3) and the blade (2).
- To re-install the blade, position the blade with the cutting edges toward the ground. Assemble the bolt as shown. Torque the blade bolt down clockwise using a torque wrench (not provided) to ensure the bolt is properly tightened. The recommended torque for the blade bolt is 24-27 lb-ft (33-37 Nm).

NOTE: Be sure to replace the parts in the exact order in which they were removed. When installing the cutting blade, verify that it is installed with the curved ends pointing toward the lawn mower deck, and not toward the ground.



MAINTENANCE

CLEANING THE LAWN MOWER

▲ W A R N I N G

In order to reduce the risk of electric shock, do not expose the lawn mower to water. The underside of the lawn mower deck should be cleaned after each use, because grass clippings, leaves, dirt, and other debris will accumulate, which will cause rust and corrosion.

While wearing leather padded gloves, remove any build-up of grass and leaves on or around the motor cover (do not use water). Occasionally wipe the lawn mower clean with a dry cloth. If debris builds up on the underside of the lawn mower during use, stop the motor, remove the battery, and then tilt the lawn mower on its side, and scrape it clean using an appropriate tool.

STORING THE LAWN MOWER

The following steps should be taken in order to prepare the lawn mower for storage.

- Clean the lawn mower as described in the previous section.
- Inspect the blade, and replace it or sharpen it, if required, refer to the Maintenance section.
- Store the lawn mower in a dry, clean location. Do not store it next to corrosive materials, such as fertilizer or rock salt.
- Store the lawn mower indoors, in a cool, dry place, out of the reach of children. Do not cover the lawn mower with a solid plastic sheet. Plastic coverings trap moisture around the lawn mower, which causes rust and corrosion.
- Remove the battery and store it in a cool dry location.
- Remove the battery and store in a secure location out of the reach of children.

▲ W A R N I N G

This battery must be charged every 3 months while in storage to maintain maximum capacity.

MAINTENANCE

- When servicing the lawn mower, use only identical replacement parts that are available from the manufacturer. In order to obtain replacement parts, call the toll-free helpline, at 1-800-317-7833. The use of parts that do not meet the original equipment specifications may lead to improper performance, and may compromise safety.
- Before cleaning, repairing, or inspecting, verify that the blade and all moving parts have come to a complete stop. Remove the battery when making any adjustments or when any of the four wheels must be lifted off the ground.
- Obey the instructions for lubricating and changing accessories.
- Keep the handles dry, clean, and free of oil and grease.
- In order to reduce the risk of fire, keep the motor free of grass, leaves, and debris build-up.
- Check the blade and motor mounting bolts for proper tightness frequently. Visually inspect blade for damage (e.g., bent, cracked, or worn).
- For best and safest performance, maintain the lawn mower with care. Keep the lawn mower blade sharp and clean. Lawn mower blades are sharp, and can cut. Wrap the blades or wear gloves, and use extra caution when servicing.
- Keep all nuts, bolts, and screws tight in order to be sure that the equipment is in safe working condition.
- Never tamper with safety devices. Check them regularly for proper operation.
- After striking a foreign object, stop the motor. Remove the battery. Thoroughly inspect the lawn mower for any damage. Repair any damage before operating the lawn mower.
- The grass catcher components, discharge cover, and trail shield are subject to wear and damage, which could expose moving parts or allow objects to be thrown. As a safety precaution, check these components frequently, and immediately replace any parts that show signs of wear, or that are cracked or broken. Use original equipment manufacturer's (OEM) parts only, as listed in this manual.
- When it is not in use, store the lawn mower indoors in a dry area, and out of the reach of children.

▲ W A R N I N G

Always remove battery when servicing or transporting the lawn mower.

MAINTENANCE

VERTICAL STORAGE FUNCTION (See Figure 13)

- Remove the battery from the mower. Remove the grass catcher bag.
- Rotate the handle knobs to the unlocked position.
- Lower the handle assembly and rotate the handle knobs to the locked position.
- Lift the mower by the front end to the vertical position.

⚠ WARNING

Always remove the battery from the mower before placing the unit in the vertical storage position.

STORAGE SWITCH:

When the handle is rotated into the fully locked storage position, the mower is equipped with a storage switch (1) that will disable the mower from running in the storage position. The storage switch (1) does not replace the need to remove the battery to prevent accidental start-up or unauthorized use.

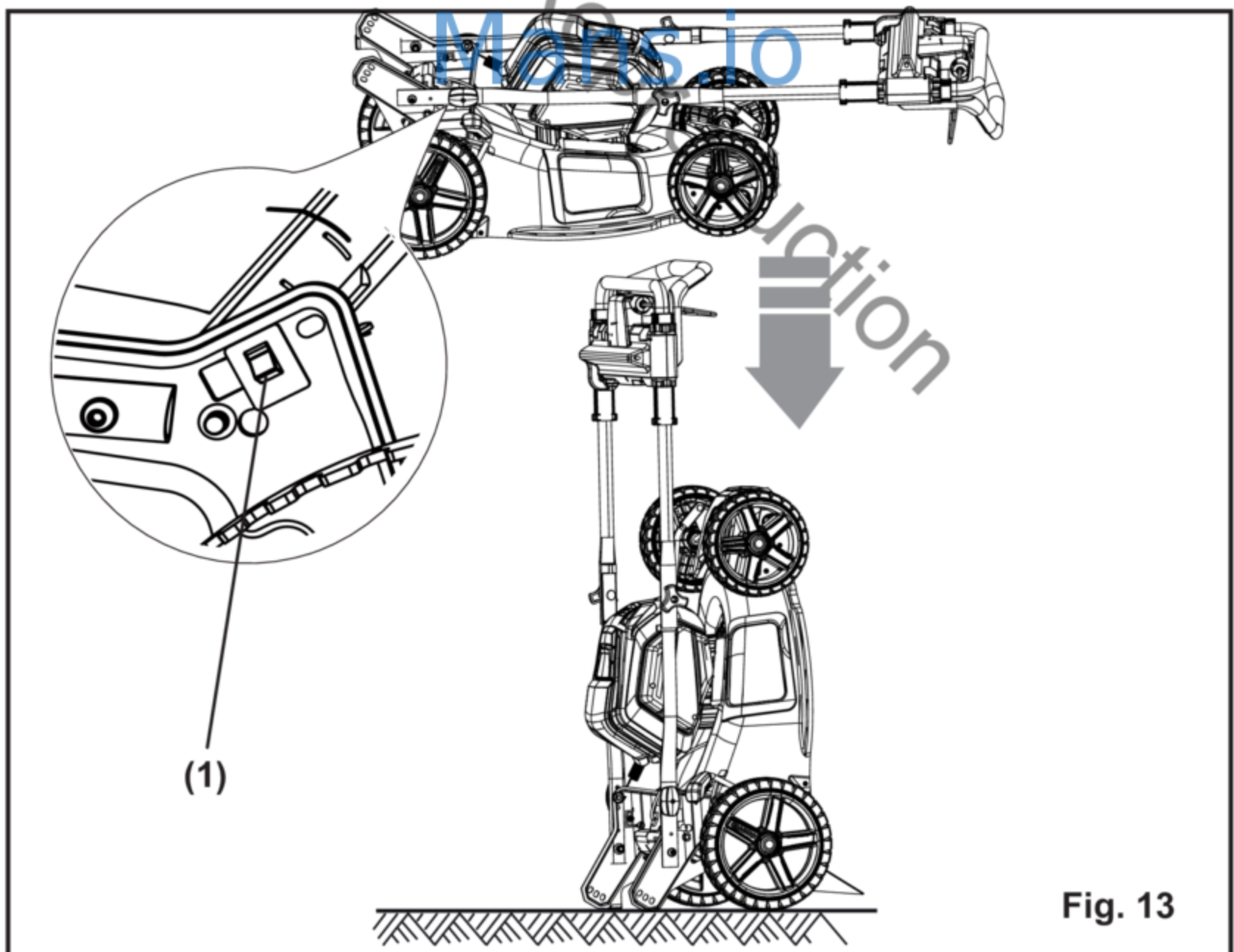


Fig. 13

ENVIRONMENTALLY SAFE BATTERY DISPOSAL

The following toxic and corrosive materials are in the batteries used in this tool battery pack: **Lithium-Ion, a toxic material.**



⚠ WARNING

Toxic materials must be disposed of in a specified manner in order to prevent contamination of the environment. Before disposing of damaged or worn out Lithium-Ion battery packs, contact your local waste disposal agency for information and specific instructions. Take the battery to a local recycling and/or disposal centre that is certified for disposal. If the battery pack cracks or breaks, whether it leaks or not, do not recharge it and do not use it. Dispose of it and replace it with a new battery pack. **DO NOT ATTEMPT TO REPAIR IT!**

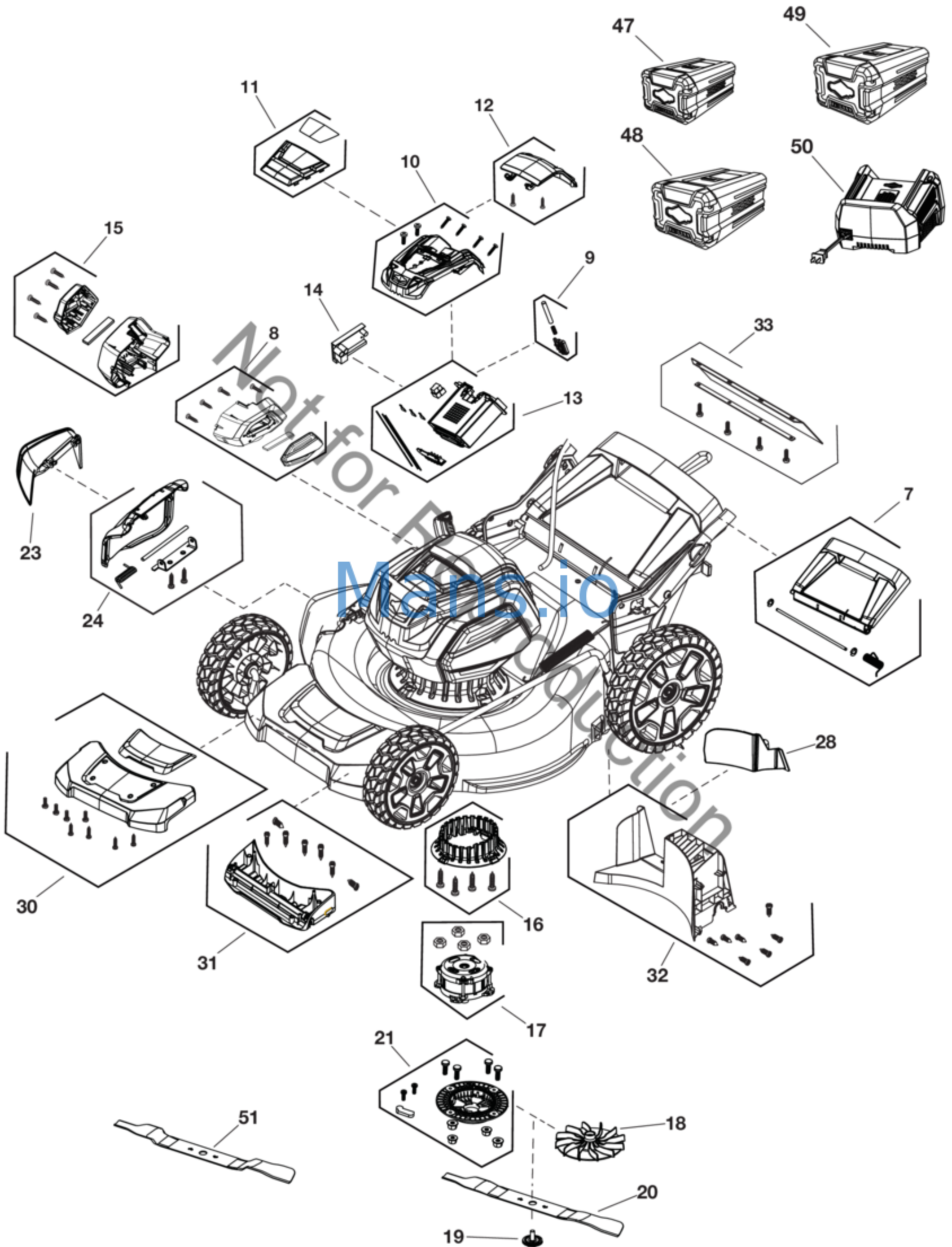
Obey these instructions in order to avoid injury and the risk of fire, explosion, or electric shock, and to avoid damage to the environment:

- Cover the battery's terminals with heavy-duty adhesive tape.
 - Do not attempt to remove or destroy any of the components of the battery pack.
 - Do not attempt to open the battery pack.
 - If a leak develops, the electrolytes that are released are corrosive and toxic. Do not get the solution in the eyes or on the skin, and do not swallow it.
 - Do not place batteries in regular household trash.
 - DO NOT incinerate batteries.
 - DO NOT place batteries where they will become part of any waste landfill or municipal solid waste stream.
 - Dispose of batteries at a certified recycling or disposal center.
-

TROUBLESHOOTING

PROBLEM	POSSIBLE CAUSE	SOLUTION
The lawn mower does not start.	The battery is not charged.	Charge the battery.
	The switch is defective.	Replace the switch (Contact an authorized service center).
	Grass jammed between the deck and blade.	Remove battery; check under deck for jams.
	The battery is not fully inserted in the lawn mower.	Check the connection between the battery and the lawn mower. Make sure the battery clicks into place.
The lawn mower cuts the grass unevenly.	Battery may require service or replacement.	Contact an authorized service center or replace battery.
	The lawn is rough or uneven.	Check the mowing area.
The lawn mower does not mulch properly.	The cutting height is not set properly.	Move the wheels to a higher setting.
	Wet grass clippings are sticking to the underside of the deck.	Remove the battery and clean the unit. Wait until the grass dries before mowing.
The lawn mower is hard to push.	The mulching plug is missing.	Install the mulching plug.
	The grass is too tall, or the cutting height is too low.	Raise the cutting height.
The lawn mower is excessively noisy and vibrates.	The rear of the grass catcher bag is dragging in thick grass.	Empty the grass clippings from the grass catcher bag.
	The motor shaft is bent.	Stop the motor, and inspect for damage. Send the unit to service center for reparation.
	The blade is unbalanced.	Repair before restarting. If vibration persists, contact an authorized service center.

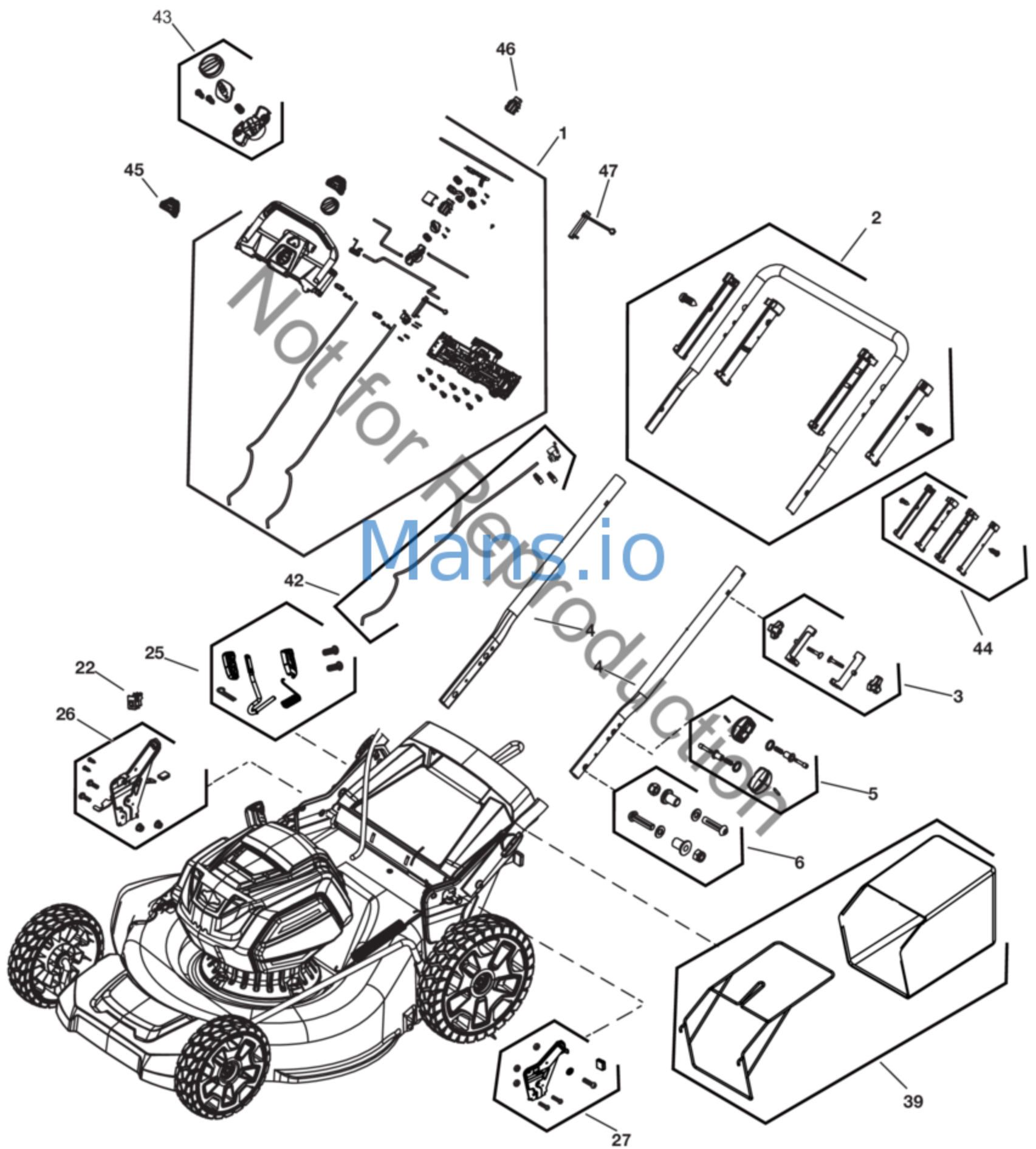
EXPLODED VIEW



PARTS LIST

REF	PART #	DESCRIPTION	QTY	NOTE
7	771427	KIT, Rear Cover	1	
8	771443	KIT, Left Cover	1	
9	770202	KIT, Release Lever	1	
10	771439	KIT, Battery Cover	1	
11	771468	KIT, Decorative Cover	1	
12	771440	KIT, Top Cover	1	
13	771469	KIT, Battery Compartment	1	
14	84004173	KIT, Circuit Board	1	
15	770197	KIT, Right Cover	1	
16	771466	KIT, Base	1	
17	-----	MOTOR ASSEMBLY	1	Order Wholegood
18	771450	KIT, Fan	1	
19	84003533	KIT, Bolt	1	
20	771451	KIT, Blade	1	
21	771767	KIT, Motor Base	1	
23	771455	KIT, Deflector	1	
24	84004179	COVER, Mulching	1	
28	771431	MULCH PLUG	1	
30	84004181	KIT, Top Cover	1	
31	84004182	KIT, Bottom Cover	1	
32	-----	BAFFLE, Rear	1	Order Wholegood
33	84004184	KIT, Rear Deflector	1	
47	1760266	* BATTERY, 2.0, 82V NA	1	(Optional)
48	1760265	* BATTERY, 4.0, 82V NA	1	(Optional)
49	1760967	* BATTERY, 5.0, 82V NA	1	(Optional)
50	1760263	CHARGER, Battery, NA	1	(Optional)
51	84004202	BLADE, Mulching, 19"	1	(Optional)
	770294	REMOTE BELT FOR BATTERY	1	(Optional)

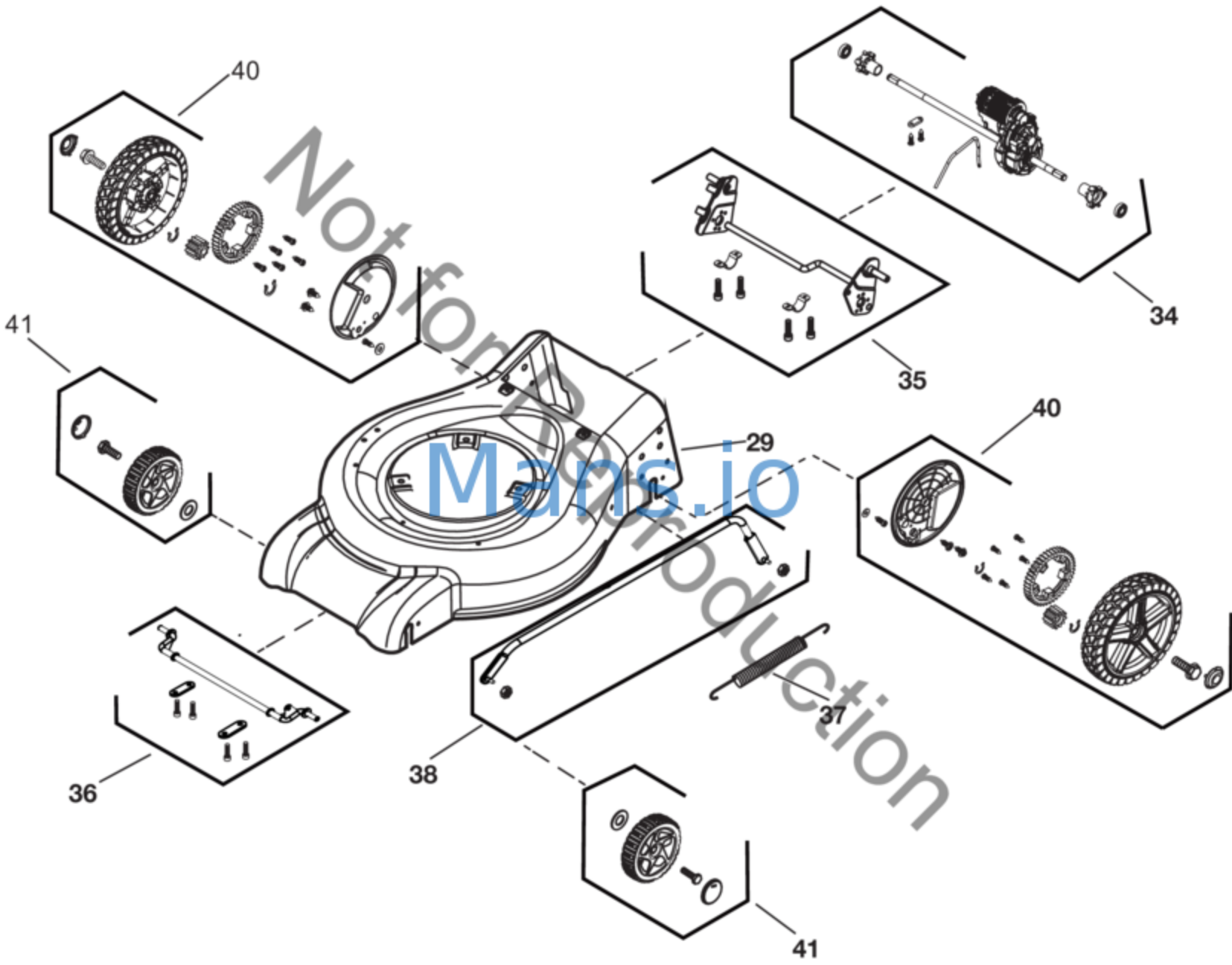
EXPLODED VIEW



PARTS LIST

REF	PART #	DESCRIPTION	QTY	NOTE
1	84004167	PANEL ASSEMBLY	1	
2	84002043	KIT, Upper Handle	1	
3	84001954	KIT, Slides	1	
4	84004170	KIT, Lower Handle	2	
5	84001929	KIT, Knob, Lower Handle	1	
6	84001930	KIT, Hardware, Lower Handle	1	
22	771605	KIT, Inverted switch	1	
25	770180	KIT, Height Adjust	1	
26	-----	HEIGHT ADJUST, Right	1	Order Wholegood
27	-----	HEIGHT ADJUST, Left	1	Order Wholegood
39	84004189	KIT, Grass Bagger	1	
42	84002074	KIT, Drive Cable	1	
43	84002070	KIT, Control Knob	1	
44	84001635	KIT, Slides	1	
45	84002071	KIT, Start Button	1	
46	84002072	SWITCH, Operator Presence	1	
47	84002073	SWITCH, Speed Control	1	

EXPLODED VIEW



PARTS LIST

REF	PART #	DESCRIPTION	QTY	NOTE
29	-----	LAWN MOWER DECK	1	Order Wholegood
34	84004185	KIT, Gearbox	1	
35	-----	KIT, Rear Axle	1	Order Wholegood
36	84004187	KIT, Front Axle	1	
37	84001935	SPRING, Height Adjust	1	
38	-----	HEIGHT ADJUST ASSEMBLY	1	Order Wholegood
40	84004190	KIT, Rear Wheel	2	
41	770188	KIT, 8" Wheel	2	

Not for Reproduction
Mans.io

Not for Reproduction

Mans.io



Copyright © Briggs & Stratton Corporation
Milwaukee, WI, 53201-0702 All rights reserved.

TOLL-FREE HELPLINE: 1-800-317-7833