

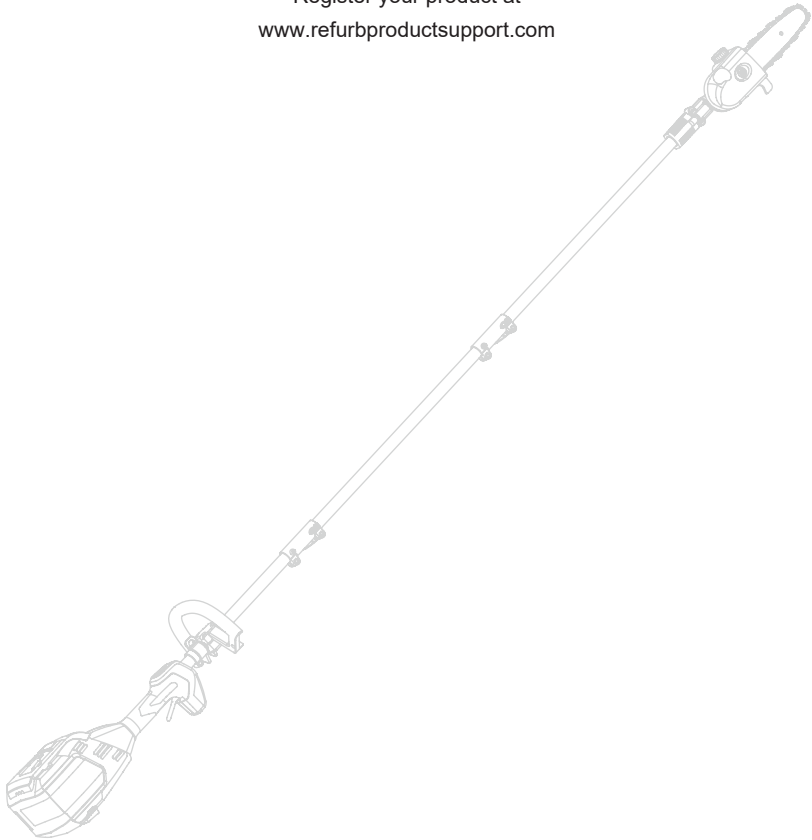


1687916

82V CORDLESS POLE SAW

User Manual

Register your product at
www.refurbproductsupport.com



Important! It is essential that you read the instructions in this manual before operating this machine.



SNAPPER XD

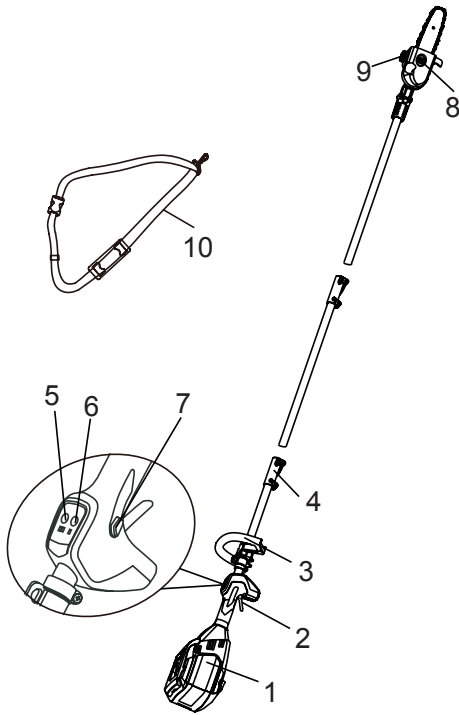


Fig 1.

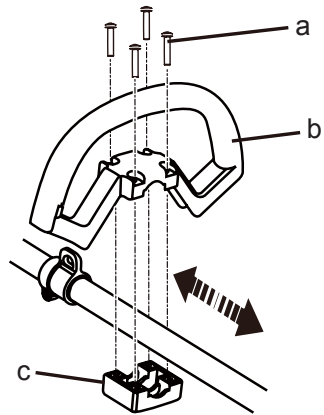


Fig 3.

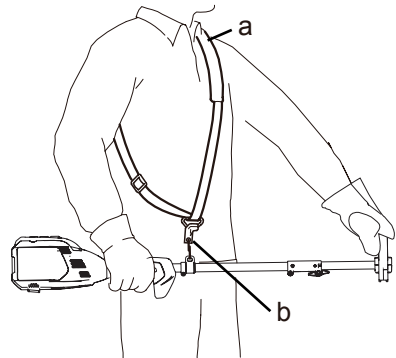


Fig 4.

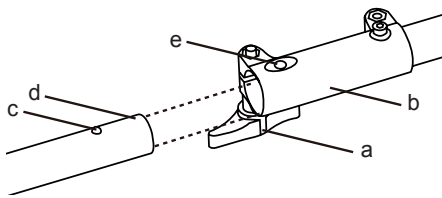


Fig 2.

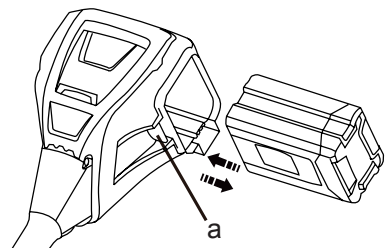


Fig 5.

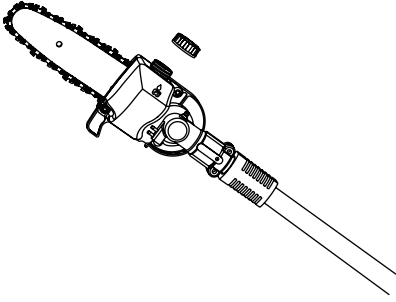


Fig 6.

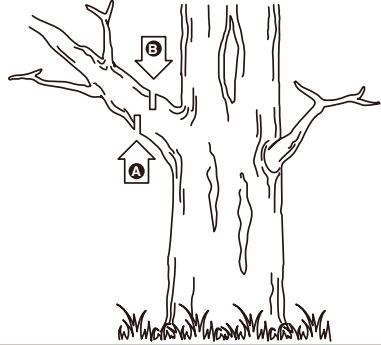


Fig 9.

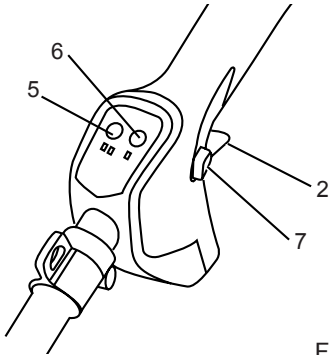


Fig 7.

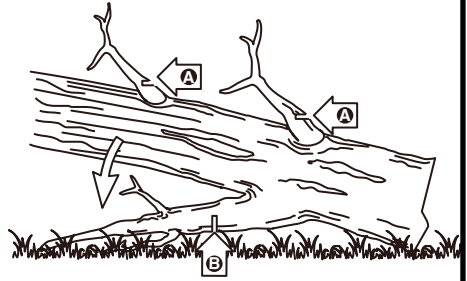


Fig 10.

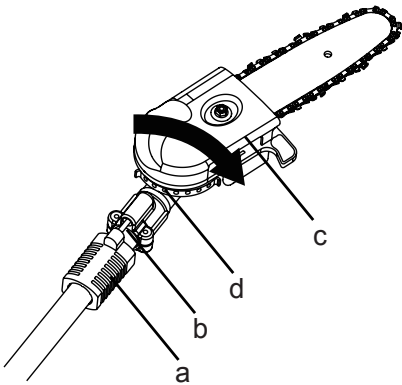


Fig 8.

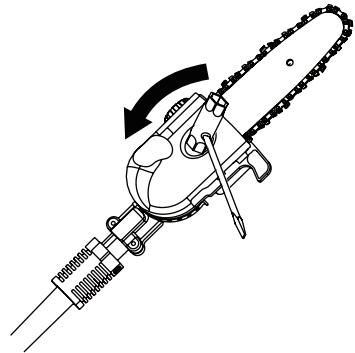


Fig 11.

SNAPPER XD

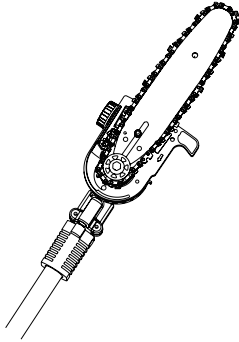


Fig 12.

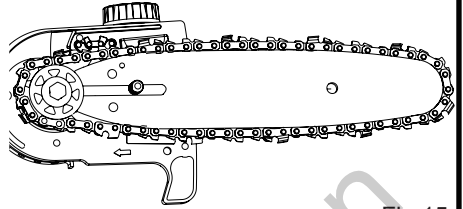


Fig 15.

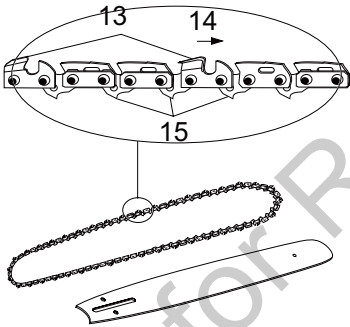


Fig 13.

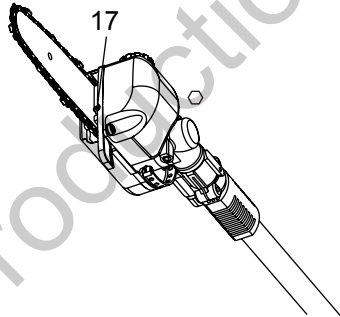


Fig 16.

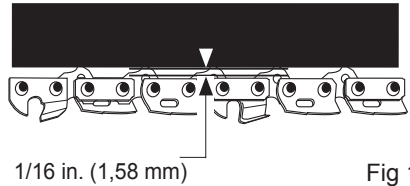


Fig 17.

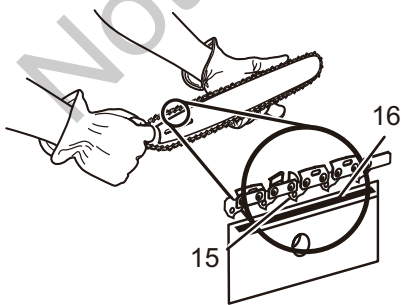


Fig 14.

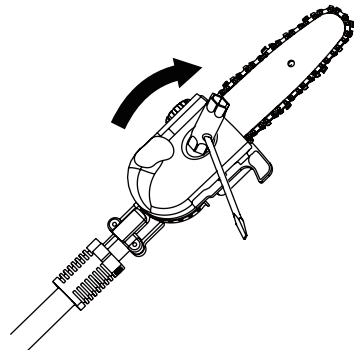


Fig 18.

English (original instructions)

Your product has been engineered and manufactured to high standard for dependability, ease of operation, and operator safety. When properly cared for, it will give you years of rugged, trouble-free performance.

INTENDED USE

The product is fitted with a cutting attachment mounted on a pole to enable the operator to cut the branches of standing trees. It is not intended for cutting woods like a full-size chain saw.

INTRODUCTION

This appliance is not intended for use by persons (including children) with reduced understanding, or lack of experience and knowledge, unless they have been given supervision or instruction concerning use of the appliance by a person responsible for their safety.

Children should be supervised to ensure that they do not play with the appliance.

GENERAL POWER TOOL SAFETY WARNINGS

▲ WARNING

Read all safety warnings and all instructions. Failure to follow the warnings and instructions may result in electric shock, fire and/or serious injury.

Save all warnings and instructions for future reference.

The term "power tool" in the warnings refers to your mains-operated (corded) power tool or battery-operated (cordless) power tool.

WORK AREA SAFETY

- **Keep work area clean and well lit.** Cluttered or dark areas invite accidents.
- **Do not operate power tools in explosive atmospheres, such as in the**

presence of flammable liquids, gases or dust. Power tools create sparks which may ignite the dust or fumes.

- **Keep children and bystanders away while operating a power tool.** Distractions can cause you to lose control.

ELECTRICAL SAFETY

- **Avoid body contact with earthed or grounded surfaces, such as pipes, radiators, ranges and refrigerators.** There is an increased risk of electric shock if your body is earthed or grounded.
- **Do not expose power tools to rain or wet conditions.** Water entering a power tool will increase the risk of electric shock.

PERSONAL SAFETY

- **Stay alert, watch what you are doing and use common sense when operating a power tool. Do not use a power tool while you are tired or under the influence of drugs, alcohol or medication.** A lapse of attention while operating power tools may result in serious personal injury.
- **Use personal protective equipment. Always wear eye protection.** Protective equipment such as dust mask, non-skid safety shoes, hard hat or hearing protection used appropriately will reduce personal injuries.
- **Prevent unintentional starting. Ensure the switch is in the off position before connecting to power source and/or battery pack and when picking up or carrying the tool.** Carrying power tools with your finger on the switch or energizing power tools that have the switch on invites accidents.
- **Remove any adjusting key or wrench before turning the power tool on.** A wrench or a key left attached to a rotating part of the power tool may result in personal injury.
- **Do not over-reach. Keep proper footing and balance at all times.** This

English (original instructions)

enables better control of the power tool in unexpected situations.

- **Dress properly. Do not wear loose clothing or jewellery. Keep your hair, clothing and gloves away from moving parts.** Loose clothes, jewellery or long hair can be caught in moving parts.

POWER TOOL USE AND CARE

- **Do not force the power tool. Use the power tool for the application.** The correct power tool will do the job better and safer at the rate for which it was designed.
- **Do not use the power tool if the switch does not turn it on and off.** Any power tool that cannot be controlled with the switch is dangerous and must be repaired.
- **Disconnect the plug from the power source and/or the battery pack from the power tool before making any adjustments, changing accessories, or storing power tools.** Such preventive safety measures reduce the risk of starting the power tool accidentally.
- **Store idle power tools out of the reach of children and do not allow persons unfamiliar with the power tool or these instructions to operate the power tool.** Power tools are dangerous in the hands of untrained users.
- **Maintain power tools. Check for misalignment or binding of moving parts, breakage of parts and any other condition that may affect the power tool's operation. If damaged, have the power tool repaired before use.** Many accidents are caused by poorly maintained power tools.
- **Keep cutting tools sharp and clean.** Properly maintained cutting tools with sharp cutting edges are less likely to bind and are easier to control.
- **Use the power tool, accessories and tool bits etc.in accordance with these instructions, taking into account the working conditions and the work to be performed.** Use of the power tool for

operations different from those intended could result in a hazardous situation.

BATTERY TOOL USE AND CARE

- **Recharge only with the charger specified by the manufacturer.** A charger that is suitable for one type of battery pack may create a risk of fire when used with another battery pack.
- **Use power tools only with specifically designated battery packs.** Use of any other battery packs may create a risk of injury and fire.
- **When battery pack is not in use, keep it away from other metal objects like paper clips, coins, keys, nails, screws, or other small metal objects that can make a connection from one terminal to another.** Shorting the battery terminals together may cause burns or fire.
- **Under abusive conditions, liquid may be ejected from the battery; avoid contact. If contact accidentally occurs, flush with plenty of soap and water. If liquid contacts eyes, immediately seek medical help.** Liquid ejected from the battery may cause irritation or burns.
- **Store idle power tool indoors.** when not in use, power tool should be stored in an indoor dry location, out of reach of children.

SERVICE

- **Have your power tool serviced by a qualified repair person using only identical replacement parts.** This will ensure that the safety of the power tool is maintained.

DISPOSAL



Separate collection. This product must not be disposed of with normal household waste. Should you find one day that your product needs replacement, or if it is no

English (original instructions)

further use to you, do not dispose of it with household waste. Make this product available for separate collection.



Separate collection of used products and packaging allows materials to be recycled and used again.

Re-use of recycled materials helps prevent environmental pollution and reduces the demand for raw materials.

Batteries



At the end of their useful life, discard batteries with due care for our environment. The battery contains material which is hazardous to you and the environment. It must be removed and disposed of separately at a facility that accepts lithium-ion batteries.




SYMBOLS

Some of the following symbols may be used on this tool. Please study them and learn their meaning. Proper interpretation of these symbols will allow you to operate the tool better and safer.

SYMBOL	DESIGNATION/EXPLANATION
V	Voltage
W	Watt-Power
— — — - - -	Direct current - Type or a characteristic of current
	Precautions that involve your safety.

	To reduce the risk of injury, user must read and understand the Instruction manual before using this product.	
	Wear eye and head protection.	
	Do not expose to rain or use in damp locations.	
	Wear protective gloves and footwear.	
	Double-insulated construction.	
	Maintain 50 ft (15m) between the unit and any electrical line to reduce the risk of electrocution. All bystanders must be kept at least 50 ft (15m) away from machine.	
	Under NO circumstances can you use more than one pole extension.	
The following signal words and meanings are intended to explain the levels of risk associated with this product.		
SYM-BOL	SIGNAL	MEANING

English (original instructions)

	DANGER:	Indicates an imminently hazardous situation, which, if not avoided, will result in death or serious injury.
	WARNING:	Indicates a potentially hazardous situation, which, if not avoided, could result in death or serious injury.
	CAUTION:	Indicates a potentially hazardous situation, which, if not avoided, may result in minor or moderate injury.
	CAUTION:	(Without Safety Alert Symbol) Indicates a situation that may result in property damage.

SPECIFICATIONS	
Voltage	82 volts
No Load Speed	6700 RPM; 7500 RPM
Line Speed	12.9 m/s; 14.5 m/s
Guide bar length	10" (254 cm)
Chain oil capacity	180 ml
Weight (without battery pack)	6 kg
Emission sound pressure level LpA (EN ISO11201, 2006/42/EC)	92.2 dB
Uncertainty KpA	3 dB
Sound power level LwA(EN 3744, 2006/42/EC)	106 dB
Uncertainty KpA	3 dB
Vibration total value ah	2.6 m/s ² , k= 1.5 m/s ²
Battery	EBSB2AH82(2Ah)/ EBSB4AH82(4AH)/ EBSB5AH82(5AH)
Charger	EBSRC82/ EBSSC82

REMARKS:

- The declared vibration value has been measured with a standard test method and may be used to compare one tool with another.
- The declared vibration value may be used in a preliminary assessment of exposure.

English (original instructions)

⚠ WARNING

The actual vibration values during use of the tool can be different from the above stated and depend on the use of the tool; and the need to identify safety measures to protect the operator are based on an estimation of exposure in the actual conditions of use (taking account all parts of the operating cycle such as the times when the tool is switched off and when it is running idle in addition to the trigger time).

CHAIN&BAR INFORMATION

ESXD82ZPS		
Manufac- ture	Saw chain	Guide bar
Oregon	91PJ040X	100SDEA318
Oregon's chain must be fitted with Oregon's bar		

DESCRIPTION

1. Rear Housing
2. Variable Speed Trigger
3. Auxiliary Handle
4. Coupler
5. High/Low Speed Button
6. On/Off Button
7. Safety Lock Button
8. Side Cover Lock Nut
9. Oil Tank
10. Shoulder Strap
11. Chain Cover
12. Side Cover Lock Nuts
13. Cutters
14. Cutters Chain Rotation
15. Drive Links
16. Bar Groove

17. Chain Tensioner Adjustment Screw

ASSEMBLY

UNPACKING

This product requires assembly.

- Carefully remove the product and any accessories from the box. Make sure that all items listed in the package contents section are included.
- Inspect the product carefully to make sure no breakage or damage occurred during shipping.
- Do not discard the packing material until you have carefully inspected and satisfactorily operated the product.
- If any parts are damaged or missing, please contact your authorised service center for assistance.

PACKING LIST

- Power head pole
- Extension pole
- Handle pole
- Shoulder Strap
- Scabbard
- Operator's manual

⚠ WARNING

If any parts are damaged or missing do not operate this product until the parts are replaced. Use of this product with damaged or missing parts could result in serious personal injury.

⚠ WARNING

Do not attempt to modify this product or create accessories not recommended for use with this product. Any such alteration or modification is misuse and could result in a hazardous condition leading to possible serious personal injury.

English (original instructions)

⚠ WARNING

To prevent accidental starting that could cause serious personal injury, always remove the battery pack from the product when assembling parts.

SHAFT ASSEMBLY *See Figure 2*

The attachment connects to the power head by means of a coupler device.

- Set the unit on a flat, level surface.
- Loosen the knob (a) on the coupler (b).
- Push in the release button (c) located on the lower shaft (d). Align the release button with the positioning hole (e) and slide the two shafts together. Rotate the lower shaft until the button locks into the positioning hole.
- Tighten the knob securely.

NOTE: If the button does not release completely in the positioning hole, the shafts are not locked into place. Slightly rotate from side to side until the button is locked into place.

ATTACHING THE FRONT HANDLE

See Figure 3

- Loosen the four screws (a) in the handle with a philips screwdriver (not included) and remove the screws from the handle.
- Attach the front handle (b) and lower clamp (c) on the shaft.
- Adjust handle up or down, if necessary, to desired operating position.
- Tighten the four screws so that the handle cannot be rotated on the shaft.

USING THE HARNESS *See Figure 4*

⚠ WARNING

The machine must always be used properly hooked to the harness worn when using extension tube. Frequently check the efficiency of the quick release mechanism used to quickly free the machine from the belts in case of danger.

The webbing must be put on before connecting the machine to the special coupling and the belts must be adjusted to suit the operator's height and stature.

- The belt (a) must go over the left shoulder towards the right hip.
- Fasten the snap hook (b) to the provided fitting on the extension tube.

OPERATION

⚠ WARNING

Do not allow familiarity with products to make you careless. Remember that a careless fraction of a second is sufficient to inflict serious injury.

⚠ WARNING

Always wear eye protection. Failure to do so could result in objects being thrown into your eyes resulting in possible serious injury.

⚠ WARNING

Never use blades, flailing devices, wire, or rope on this product. Do not use any attachments or accessories not recommended by the manufacturer of this product. The use of attachments or accessories not recommended can result in serious personal injury.

English (original instructions)

For complete charging instructions, refer to the Operator's Manuals for your battery pack and charger models.

NOTE: To avoid serious personal injury, always remove the battery pack and keep hands clear of the lock-out button when carrying or transporting the tool.

INSTALLING THE BATTERY PACK

See Figure 5

- Align the tongue of the battery pack with the cavity.
- Grasp the pole saw firmly.
- Push the battery pack into the handle until the latch locks into place.
- It should slide into position and “click”.

REMOVING THE BATTERY PACK

See Figure 5

- Press the latch button on the battery pack down and hold.
- Grasp the pole saw firmly, and pull the battery pack out of the handle.

ADDING BAR AND CHAIN LUBRICANT

See Figure 6

Use Bar and Chain Lubricant. It is designed for chains and chain oilers, and is formulated to perform over a wide temperature range with no dilution required.

NOTE: Pole saw comes from the factory with no bar and chain lubricant added. Level should also be checked after every 20 minutes of use and refilled as needed.

- Unscrew and remove the cap from the oil tank.
- Pour oil in the tank and monitor the level on the indicator.
- Make sure no impurities penetrate the oil tank when filling.
- Screw on the oil cap and tighten it.

NOTE: Do not use dirty, used or otherwise contaminated oils. Damage may occur to the bar or chain.

NOTE: It is normal for oil to seep from the saw when not in use. To prevent seepage, empty the oil tank after each use then run for one minute. When storing the unit for a long period of time (three months or longer) be sure the chain is lightly lubricated; this will prevent rust on the chain and bar sprocket.

STARTING AND STOPPING See Figure 7

To start:

- Press the on/off power button.
- Depress the lock-out button and squeeze the switch trigger.
- Press high speed button to increase speed depending upon actual working condition. Two LED's will illuminate above the high speed button indicating that the pole saw is in the high speed setting.

To stop:

- Release the switch trigger.
- Press the power button again to turn the unit off.

NOTE: The unit will power itself down after being idle for 1 minute.

ADJUSTING THE ANGLE OF POLE SAW HEAD See Figure 8

- Pull the angle adjustment handle (a) down. The angle adjustment lock shaft (b) will down at the same time.
- Rotate the power output head (c) clockwise to adjust the cutting angle.
- The angle can be adjusted between 0 and 90 degrees.
- When the angle is well adjusted, release the angle adjustment handle (a).
- The angle adjustment lock shaft directly insert into the angle adjustment positioning hole (d).

English (original instructions)

PREPARATION FOR CUTTING

- Wear non-slip gloves for maximum grip and protection.
- Maintain a proper grip on the unit whenever the motor is running. Use your right hand to firmly grip the rear handle while your left hand has a firm grip on the pole shaft.
- Hold unit firmly with both hands. Always keep your left hand on the pole shaft and your right hand on the rear handle, so your body is to the left of the chain line. Never use a left-handed (cross-handed) grip, or any stance that places your body or arm across the chain line.
- Never stand directly under the limb you are cutting.
- Be certain the collars are fully tightened before operating equipment; check them periodically for tightness during use to avoid serious injury.

WORK TECHNIQUES

Delimiting a tree See *Figure 9*

⚠ WARNING

Make sure there is nothing or nobody in the area where the branches will fall.

- Stand opposite the branch you want to cut.
- Start cutting lower branches followed by the higher ones.
- Cut downwards to prevent the bar from getting jammed.

Limbing tree branches See *Figure 10*

Limbing means removing the branches from a felled tree.

⚠ WARNING

Be careful of where the branches are lying on the ground, the risk of them being under tension, the direction the branch may go during cutting and the risk of the tree being unstable after the branch has been cut.

When limbing, it is necessary to leave the lower, larger branches to support the trunk on the ground. Remove the small branches with a single cut.

It is recommended to cut the tensioned branches working from the bottom upwards to prevent the pole saw from bending.

MAINTENANCE

REPLACING THE BAR AND CHAIN

See *Figure 11-18*

- Remove the lock nut and chain cover.
- The bar contains a bar stud slot that fits over the bar stud. The bar also contains a chain tension pin hole which fits over the chain tensioning pin.
- Place the bar onto the bar stud so that the chain tensioning pin fits into the chain tensioning pin hole.
- Fit the chain over the sprocket and into the bar groove. The cutters on the top of the bar should face toward the bar tip, in the direction of the chain rotation.
- Replace the chain cover and install the lock nut.
- Remove all slack from chain by turning the chain tensioning screw clockwise, assuring that the chain seats into the bar groove during tensioning.
- Lift the tip of the bar up to check for sag. Release the tip of the bar, and turn the chain tensioning screw 1/2 turn clockwise. Repeat this process until sag does not exist.
- Hold the lip of the bar up and tighten the lock nut securely.
- Chain is correctly tensioned when there is no slack on the underside of the bar, the chain is snug, but it can be turned by hand without binding.
- Tighten the lock nut.

NOTE: If the chain is too tight, it will not rotate. Loosen the chain cover lock nuts

English (original instructions)

slightly and turn the chain adjustment screw 1/4 turn counterclockwise. Lift the tip of the guide bar up and retighten the chain cover lock nuts. Ensure that the chain will rotate without binding.

ADJUSTING THE CHAIN TENSION

See Figure 11.16.17.18

- Untighten the side cover lock nuts slightly by turning them counterclockwise. You do not need to remove the side cover in order to adjust the chain tension.
- Lift the tip of the guide bar up to check for sag. Release the tip of the guide bar and turn the chain adjustment screw 1/2 turn clockwise. Repeat this process until sag does not exist.
- Hold the tip of the guide bar up and tighten the chain cover lock nuts by turning them with the wrench.
- The chain is correctly tensioned when there is no sag on the underside of the guide bar, the chain is snug, but it can be turned by hand without binding.

▲ IMPORTANT

During normal saw operation, the temperature of the chain increases. The drive links of a correctly tensioned warm chain will hang approximately 1/16 in. (1,58 mm) out of the bar groove.

▲ IMPORTANT

New chains tend to stretch; check the chain tension frequently and tension as required.

CLEANING

Cleaning the machine and the motor

After every work session, clean the machine thoroughly to remove all dust and debris.

- To reduce fire hazards, keep the machine and, in particular, the motor free of leaves, branches or excessive

grease.

- Always clean the machine after use with a damp cloth dipped in neutral detergent.
- Remove all traces of moisture using a soft damp cloth. Moisture can generate risks of electric shocks.
- Do not use aggressive detergents or solvents to clean the plastic parts or handgrips.
- Do not spray water onto the motor and electrical components and prevent them from getting wet.
- To avoid overheating and damage to the motor or the battery, always keep the cooling air vents clean and free of debris.

Cleaning the chain

Remove any traces of sawdust or oil deposits from the chain every time it is used.

If there is excessive dirt or resin build-up, disassemble the chain and place it in a container with a specific cleanser for a few hours. Then rinse it with clean water and treat it with a suitable anticorrosive spray, before reassembling on the machine.

STORING

STORING THE MACHINE

When the machine is to be stored away:

1. Remove the battery from its housing and recharge it;
2. Mount the bar cover.
3. Wait until the motor is sufficiently cold;
4. Clean.
5. Check there are no loose or damaged components. If necessary, replace the damaged components and tighten any

English (original instructions)

screws and loose bolts or contact the authorised service centre.

6. Store the machine:

- in a dry place
- protected from inclement weather
- in a place where children cannot get to it
- making sure that keys or tools used for maintenance are removed.

TROUBLESHOOTING

PROBLEM	POSSIBLE CAUSE	SOLUTION
Pole saw fails to operate.	The poles are not assembled correctly.	Reassemble the poles according to the instructions.
	No electrical contact between the pole saw and battery.	To secure the battery, make sure the latches on the battery compartment snap into place.
	The battery pack is depleted.	Charge the battery pack.
	The lock-off lever and trigger are not depressed simultaneously.	Press down the lock-off lever and hold it, then depress the trigger to turn on the pole saw.
	The battery and power tool is too hot or too cold.	Refer to the battery and charger maintenance part in the manual.
Bar and chain running hot and smoking.	No oil in the oil tank.	Refill oil into the oil tank.
	The discharge port is blocked by debris.	Refer to the manual to remove the bar and clean out the debris.
	Inlet opening in inner oil tank is blocked by debris.	Clean the oil tank, and refill with clean bar and chain lubricant.
	The sprocket is stuck and clogged with debris.	Clean the sprocket and refill with clean bar and chain lubricant.
	Chain tension for overtightened or loose condition.	Refer to Re-tensioning the saw chain in the manual.
The chain does not cut.	Dull chain.	Sharpen or replace the chain.
	Chain on backwards.	Refer to Replacing the Bar and Chain assembly earlier in this manual.

English (original instructions)

Motor running, but cutting abnormal	Motor stops after about 3 seconds.	Recharge the battery.
	When using the pole saw under load, it stops.	Release trigger. Restart the pole saw. Do not force the pole saw. Refer to the manual for proper use.
	Battery is not charged.	Charge the battery. Refer to the battery and charger manual for correct charging procedures.
	Lack of bar and chain lubricant can cause increased friction. Chain needs to be properly maintained.	Make sure the pole saw always has bar and chain lubricant.
	Incorrect battery storage temperature.	Allow the battery pack to cool until the temperature drops to room temperature.