

SharkNinja® Art Specifications

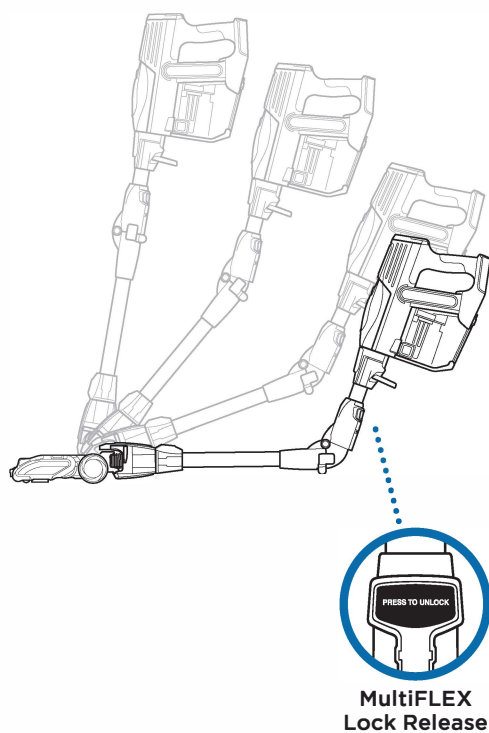
Project: IF251_QSG_REV_170621

PMS 10273 K

Art Produced at 100%
UV VARNISH COATING OVER ALL

MULTIFLEX™ REACH

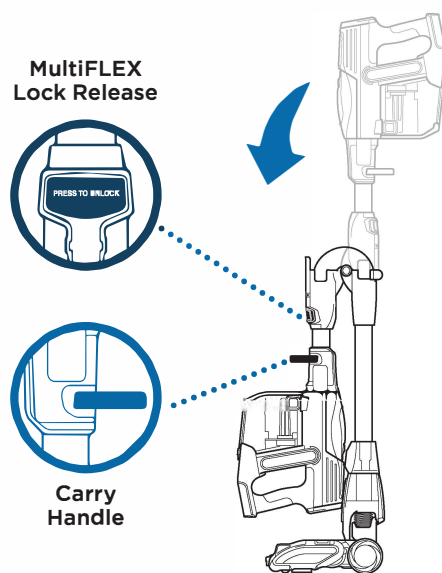
Easily access hard-to-reach areas under furniture. Press the MultiFLEX Lock Release button to lower the angle of the wand to increase your reach.



MULTIFLEX STORAGE

To store, press the Lock Release button and hold it down while folding the handheld vacuum forward, until the unit locks in storage mode. Use the handle to carry the vacuum to its storage location.

To take the vacuum out of storage mode, press the MultiFLEX Lock Release button while lifting up the handheld vacuum. The wand will lock in place.



Please make sure to review the Shark® Owner's Guide prior to using your vacuum. It is available at sharkclean.com

duo clean™

REFURBISHED

Shark.IONFLEX™ 2X

CORD-FREE ULTRA-LIGHT

QUICK START GUIDE

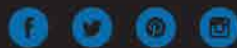
Use this Quick Start Guide to start using your REFURBISHED vacuum's great features.

Register your vacuum at arcaaugusta.com/register-my-product.htm



Shark

For questions about your product, contact Shark at
800-798-7398 or visit us online at sharkclean.com



@sharkcleaning

IF251_170621

©2017 SharkNinja Operating LLC. SHARK is a registered trademark of SharkNinja Operating LLC. DUOCLEAN, MULTIFLEX, IONFLEX, and SMART RESPONSE are trademarks of SharkNinja Operating LLC. Refurbished by America's Remanufacturing Company, an independent company not affiliated with SharkNinja Operating LLC. This product is warranted and supported by America's Remanufacturing Company.

R-IF251

SharkNinja® Art Specifications

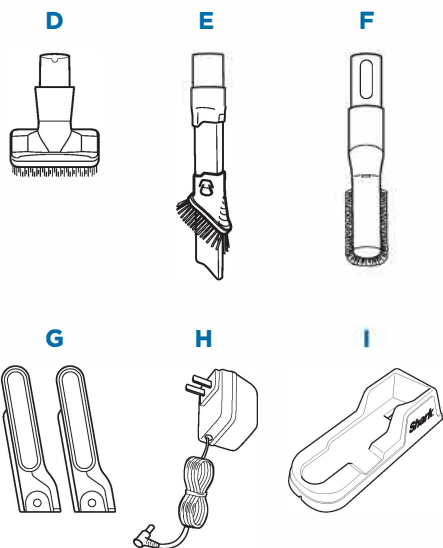
Project: IF251_QSG_REV_170621

PMS 10273 K

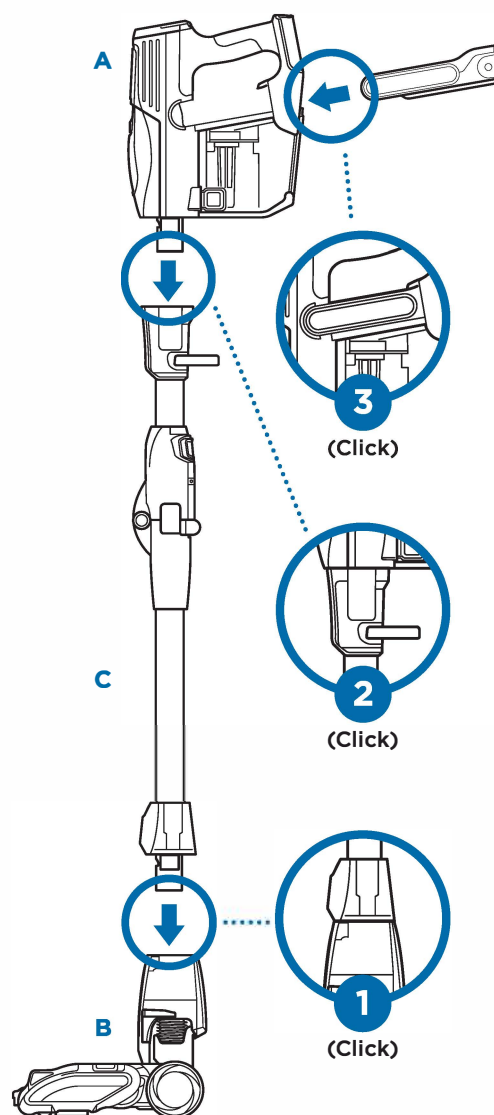
Art Produced at 100%
UV VARNISH COATING OVER ALL

WHAT'S INSIDE:

- A** Handheld Vacuum
- B** Motorized Floor Nozzle
- C** MultiFLEX™ Wand
- D** Pet Multi-Tool
- E** Anti-Allergen Duster Crevice Tool
- F** Anti-Allergen Dust Brush
- G** ION Power Pack (x2)
- H** ION Power Pack Charger
- I** ION Power Pack Charging Dock



ASSEMBLY



For complete maintenance instructions, review the Owner's Guide.
For additional parts and accessories, visit sharkaccessories.com.
For additional batteries and charging accessories, visit sharkclean.com/batteries.

SMART RESPONSE™ TECHNOLOGY

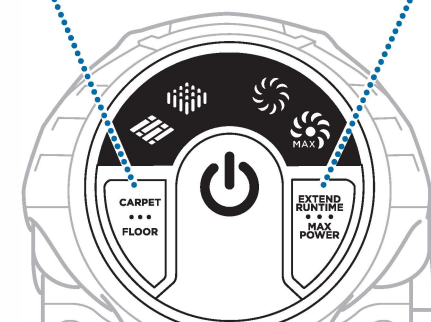
Press the Surface Settings button to switch floor types. Press the Suction Settings button to intelligently switch between EXTEND RUNTIME and MAX POWER.

Surface Settings

- CARPET**
For high pile carpets.
- FLOOR**
For bare floors and area rugs.

Suction Settings

- EXTEND RUNTIME**
For everyday cleaning.
- MAX POWER**
Maximum power for heavy-duty cleaning.



NOTE: For deep cleaning per ASTM F 608 (embedded dirt in carpets) please select CARPET and MAX POWER settings.

ION POWER PACK

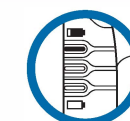
In Use



Charging



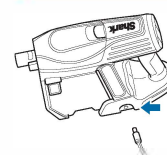
NOTE: Full charge takes approximately 3.5 hours.



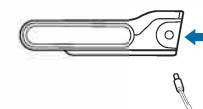
Battery Indicator Lights

NOTE: ION Power Pack comes with a partial charge. Fully charge prior to first use and then completely discharge to condition the pack.

VERSATILE CHARGING



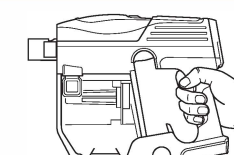
IN THE VACUUM



OUT OF THE VACUUM



IN A CHARGING DOCK



Easily Insert or Remove the ION Power Pack

To insert, slide the ION Power Pack into the slot in the back of the hand vac.

To remove, pinch the release tab then slide out the ION Power Pack.

